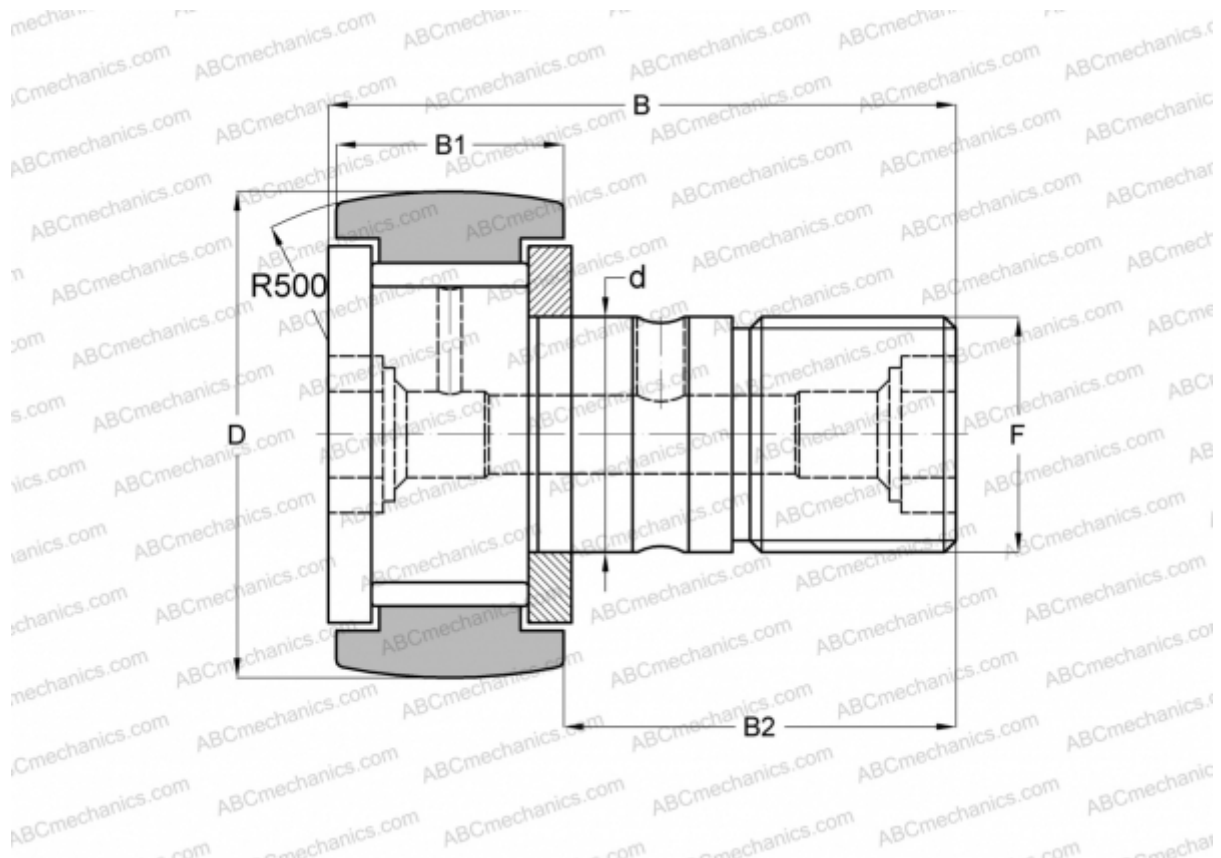


KRV 26 SK INA

Cam followers

TYPE: Roller bearings, Stud type track rollers, With axial guidance, full complement bearing, gap seal on both side, hex socket



Technical specification

DIMENSIONS, MM

d	10,000
D	26,000
B	36,200
B1	12,000
B2	23,000
F	M10x1

MANUFACTURER [INA](#)

INTERCHANGE

ABC	CF 10-1 VBRM
IKO	CF 10-1 VBRM
SKF	KRV 26 SK
McGill	MCF-26-B