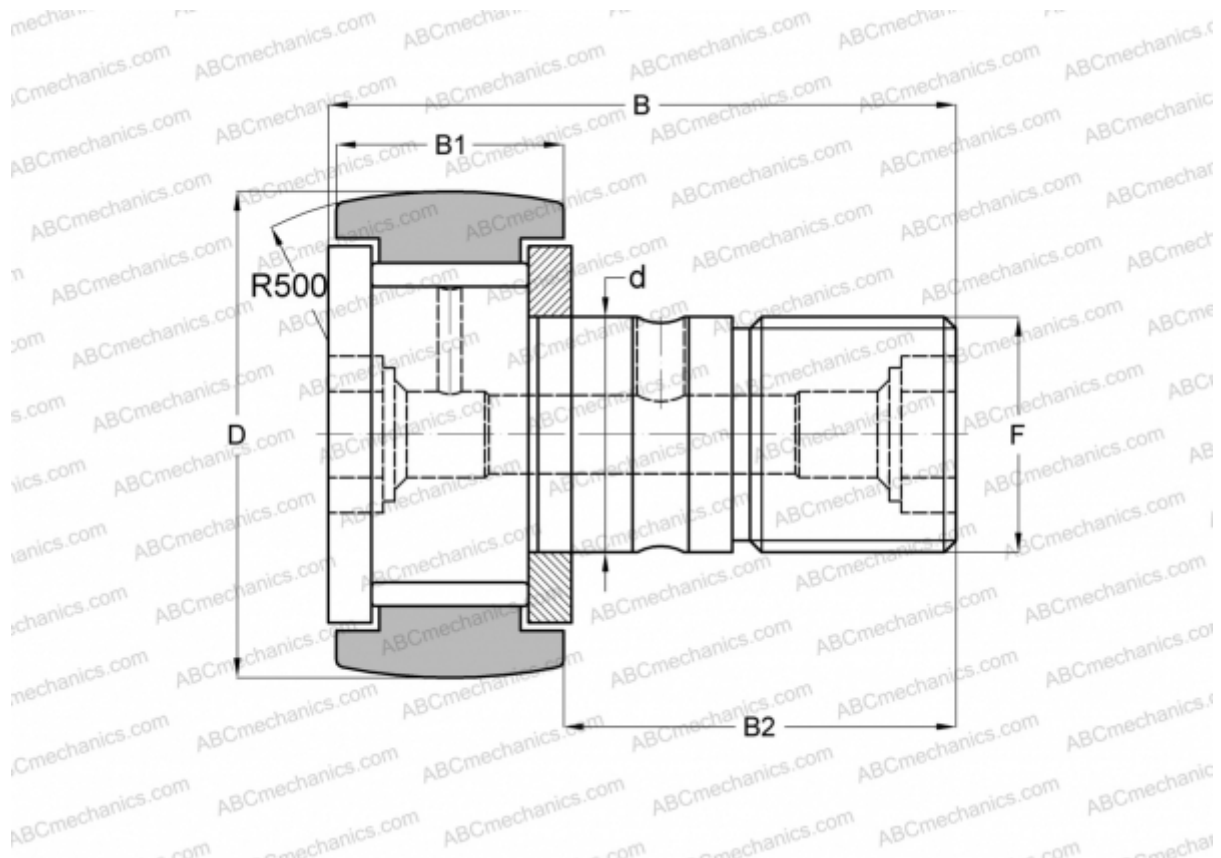


## MCF-26-B McGill

Cam followers

TYPE: Roller bearings, Stud type track rollers, With axial guidance, full complement bearing, gap seal on both side, hex socket



### Technical specification

#### DIMENSIONS, MM

d	10,000
D	26,000
B	36,200
B1	12,000
B2	23,000
F	M10x1

**MANUFACTURER** [McGill](#)

#### INTERCHANGE

ABC	<a href="#">CF 10-1 VBRM</a>
IKO	<a href="#">CF 10-1 VBRM</a>
INA	<a href="#">KRV 26 SK</a>
SKF	<a href="#">KRV 26 SK</a>