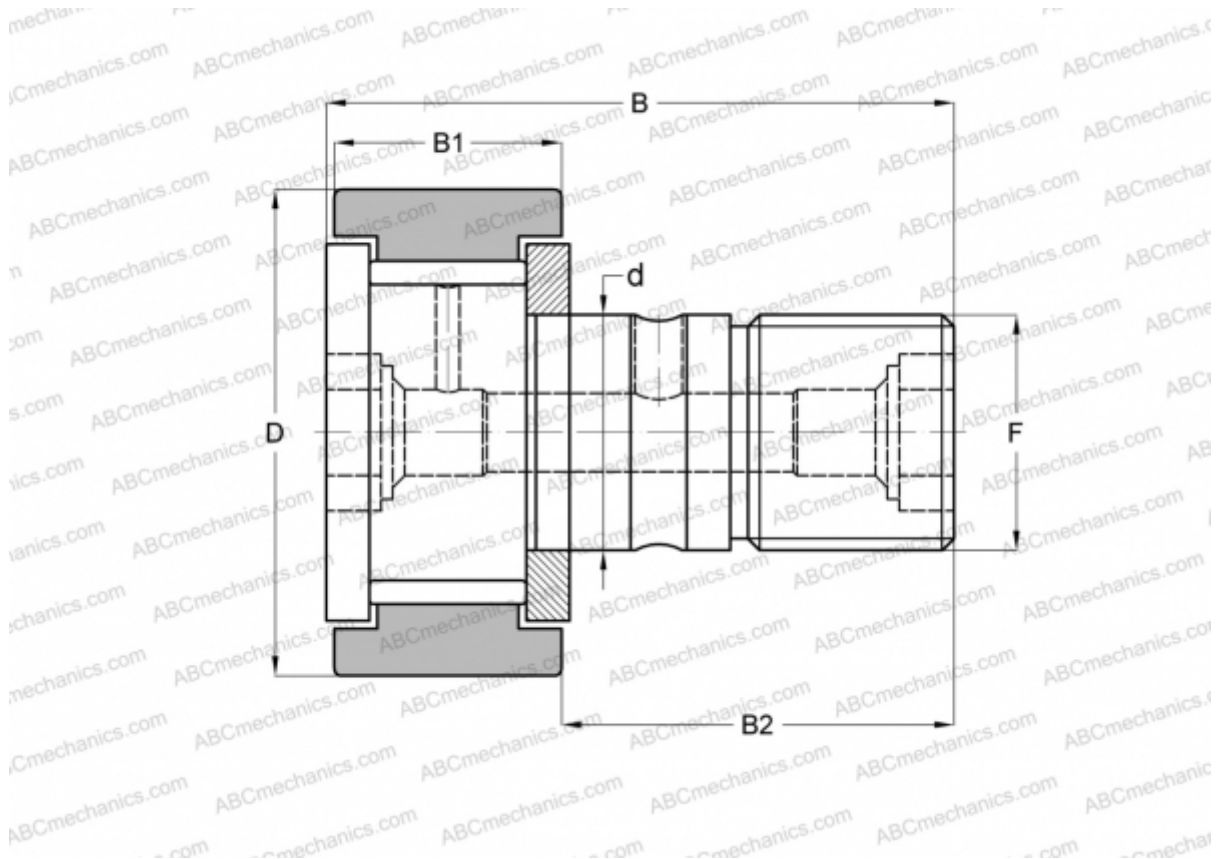


## CF 10 VBM IKO

Cam followers

TYPE: Roller bearings, Stud type track rollers, With axial guidance, full complement bearing, gap seal on both side, cylindrical outer ring, hex socket



### Technical specification

#### DIMENSIONS, MM

d	10,000
D	22,000
B	36,200
B1	12,000
B2	23,000
F	M10x1

**WEIGHT, KG** 0,046

**MANUFACTURER** [IKO](#)

#### INTERCHANGE

ABC	<a href="#">CF 10 VBM</a>
INA	<a href="#">KRV 22 XSK</a>
SKF	<a href="#">KRV 22 XSK</a>
McGill	<a href="#">MCF-22-BX</a>

#### CALCULATION DATA

Basic dynamic load rating, C	9,570 kN
Basic static load rating, Co	14,500 kN