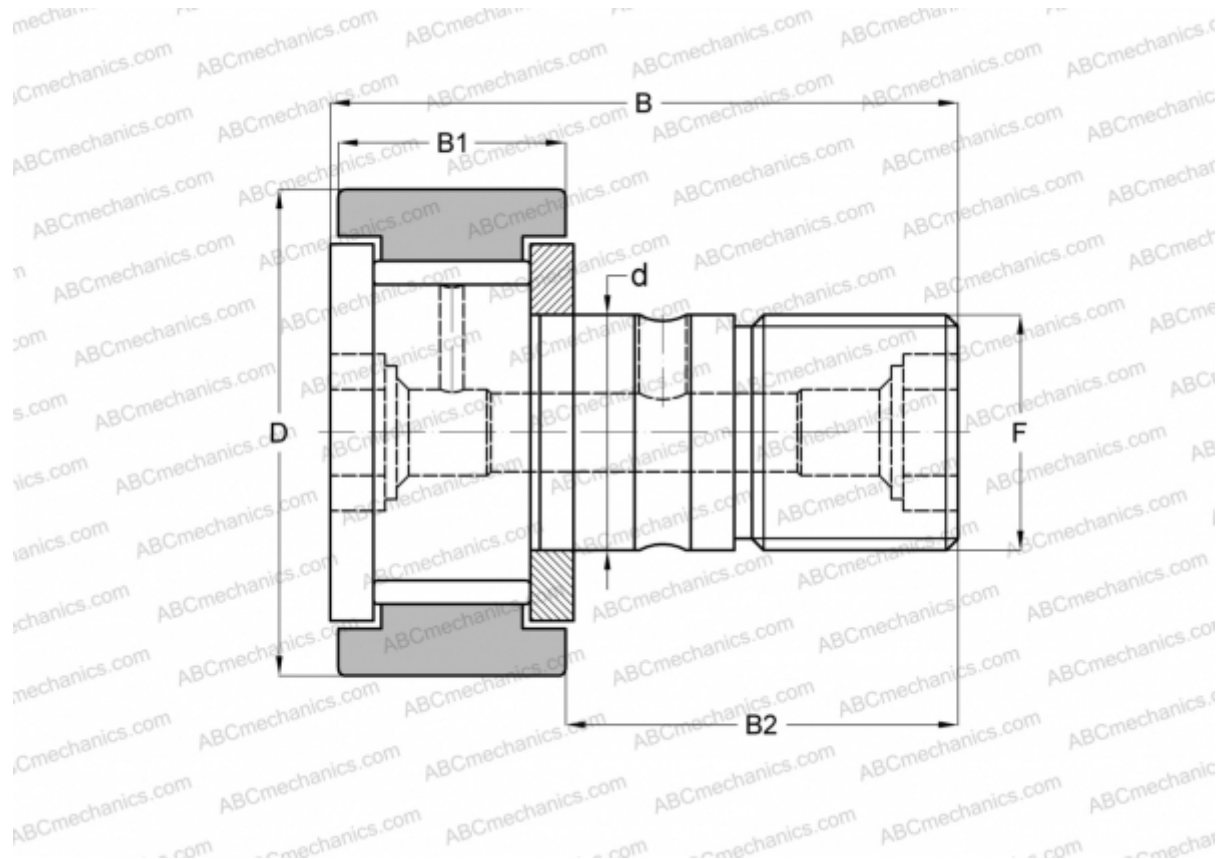


KRV 22 XSK SKF

Cam followers

TYPE: Roller bearings, Stud type track rollers, With axial guidance, full complement bearing, gap seal on both side, cylindrical outer ring, hex socket



Technical specification

DIMENSIONS, MM

d	10,000
D	22,000
B	36,200
B1	12,000
B2	23,000
F	M10x1

WEIGHT, KG 0,046

MANUFACTURER [SKF](#)

INTERCHANGE

ABC	CF 10 VBM
IKO	CF 10 VBM
INA	KRV 22 XSK
McGill	MCF-22-BX