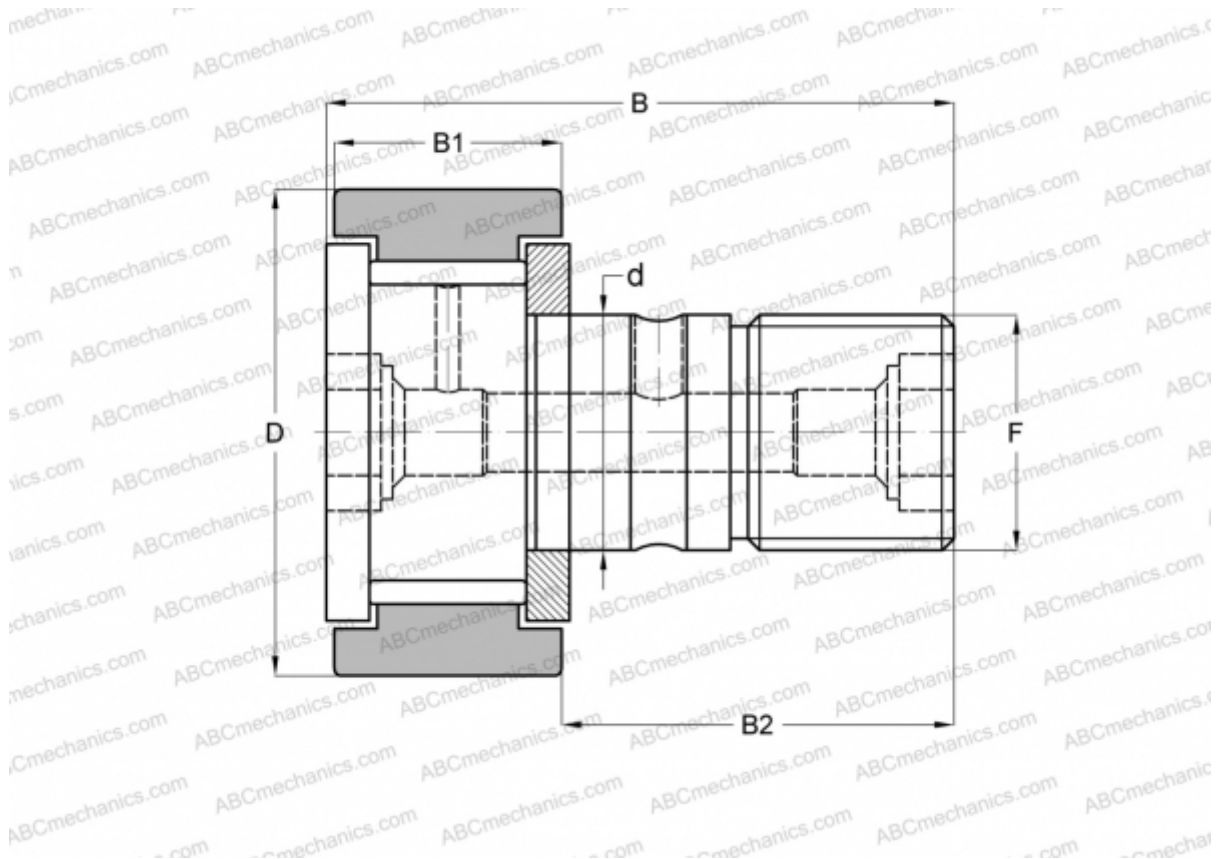


CF 10-1 VBM IKO

Cam followers

TYPE: Roller bearings, Stud type track rollers, With axial guidance, full complement bearing, gap seal on both side, cylindrical outer ring, hex socket



Technical specification

DIMENSIONS, MM

d	10,000
D	26,000
B	36,200
B1	12,000
B2	23,000
F	M10x1

WEIGHT, KG 0,061

MANUFACTURER [IKO](#)

INTERCHANGE

ABC	CF 10-1 VBM
INA	KRV 26 XSK
SKF	KRV 26 XSK
McGill	MCF-26-BX

CALCULATION DATA

Basic dynamic load rating, C	9,570 kN
Basic static load rating, Co	14,500 kN