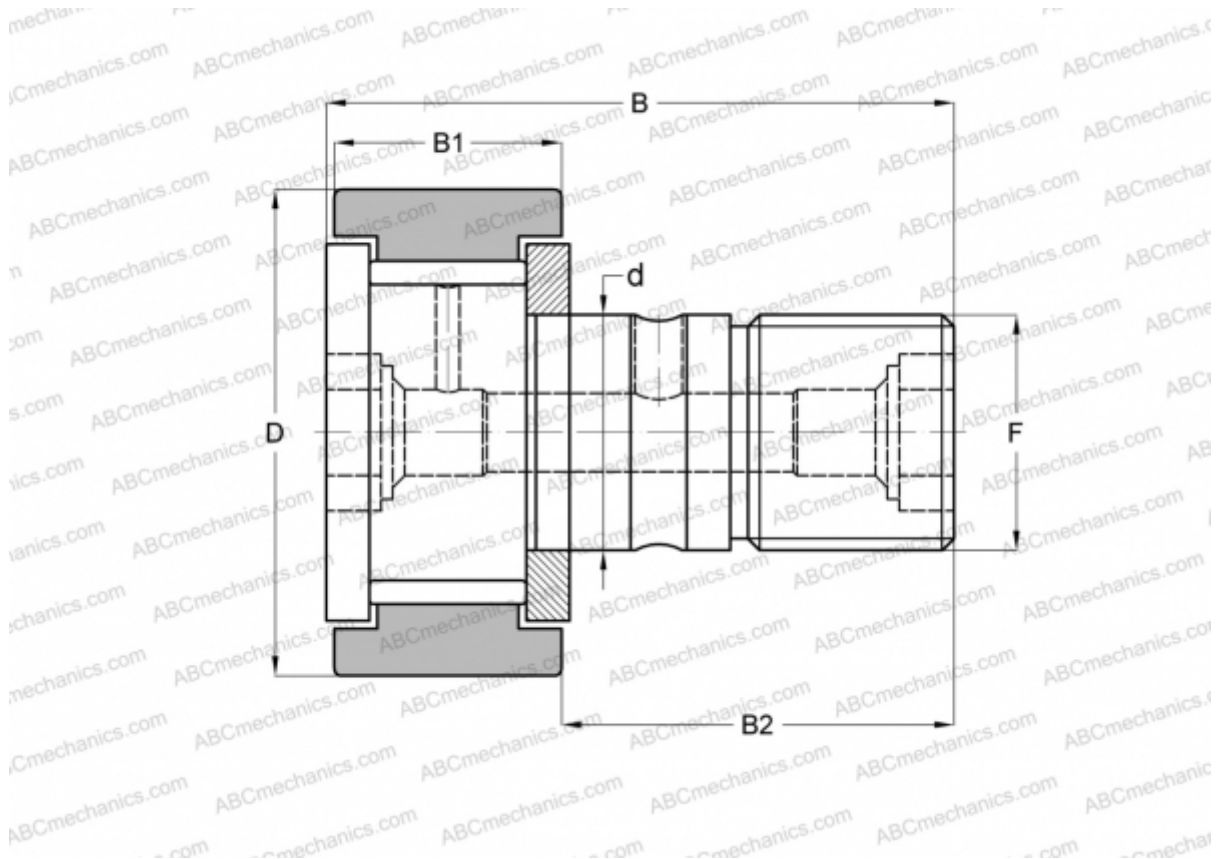


KRV 30 XSK INA

Cam followers

TYPE: Roller bearings, Stud type track rollers, With axial guidance, full complement bearing, gap seal on both side, cylindrical outer ring, hex socket



Technical specification

DIMENSIONS, MM

d	12,000
D	30,000
B	40,200
B1	14,000
B2	25,000
F	M12x1.5

WEIGHT, KG 0,097

MANUFACTURER [INA](#)

INTERCHANGE

ABC	CF 12 VB
IKO	CF 12 VB
SKF	KRV 30 XSK
McGill	MCF-30-BX