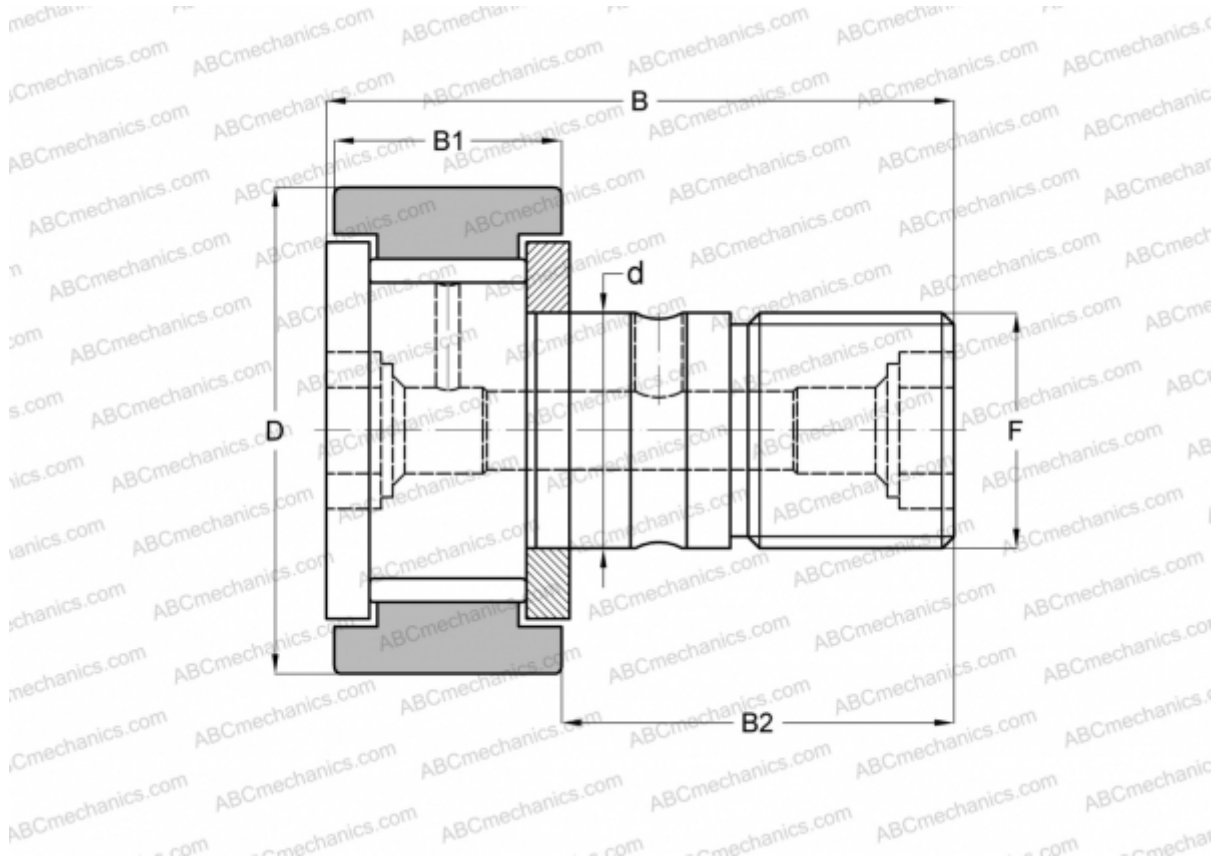


CF 16 VB ABC

Cam followers

TYPE: Roller bearings, Stud type track rollers, With axial guidance, full complement bearing, gap seal on both side, cylindrical outer ring, hex socket



Technical specification

DIMENSIONS, MM

d	16,000
D	35,000
B	52,100
B1	18,000
B2	32,500
F	M16x1.5

WEIGHT, KG 0,173

MANUFACTURER [ABC](#)

INTERCHANGE

IKO	CF 16 VB
INA	KRV 35 XSK
SKF	KRV 35 XSK
McGill	MCF-35-BX