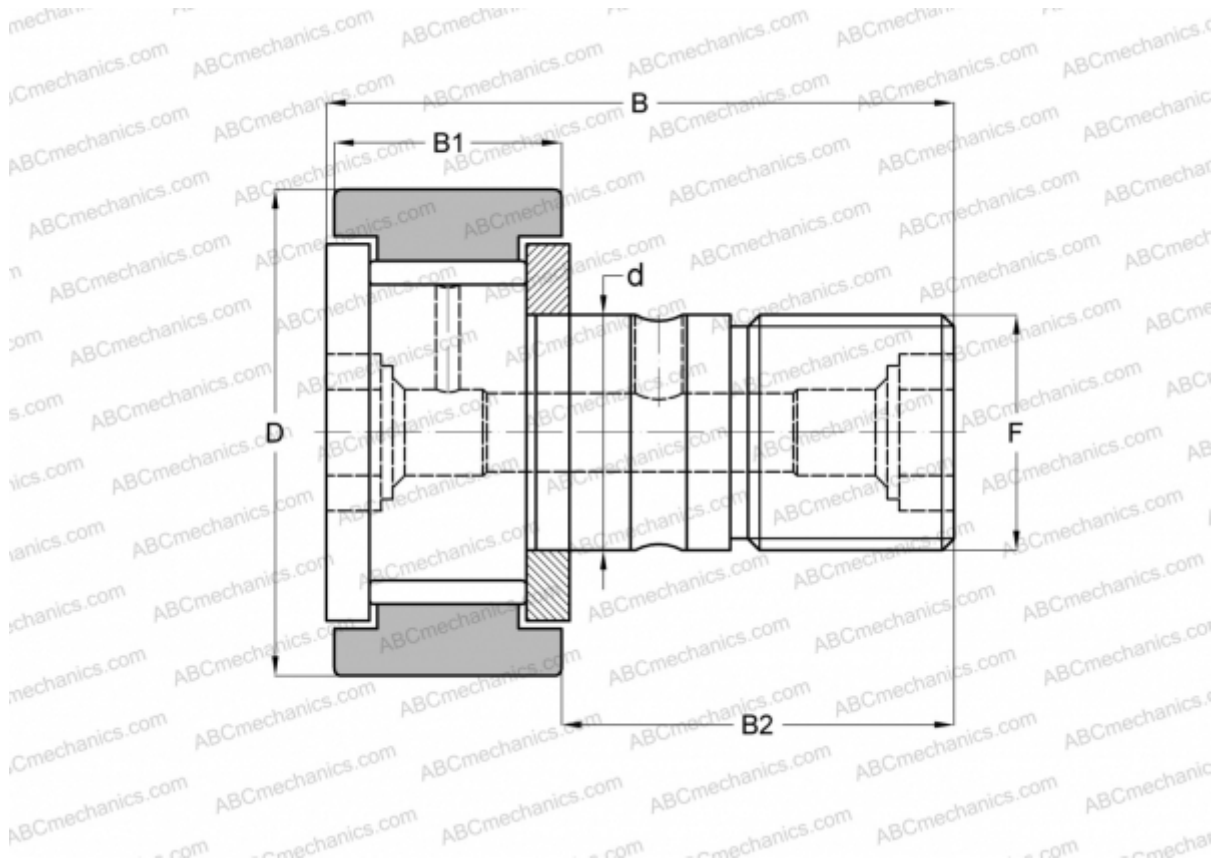


## KRV 35 XSK INA

Cam followers

TYPE: Roller bearings, Stud type track rollers, With axial guidance, full complement bearing, gap seal on both side, cylindrical outer ring, hex socket



### Technical specification

#### DIMENSIONS, MM

|    |         |
|----|---------|
| d  | 16,000  |
| D  | 35,000  |
| B  | 52,100  |
| B1 | 18,000  |
| B2 | 32,500  |
| F  | M16x1.5 |

**WEIGHT, KG** 0,173

**MANUFACTURER** [INA](#)

#### INTERCHANGE

|        |                            |
|--------|----------------------------|
| ABC    | <a href="#">CF 16 VB</a>   |
| IKO    | <a href="#">CF 16 VB</a>   |
| SKF    | <a href="#">KRV 35 XSK</a> |
| McGill | <a href="#">MCF-35-BX</a>  |