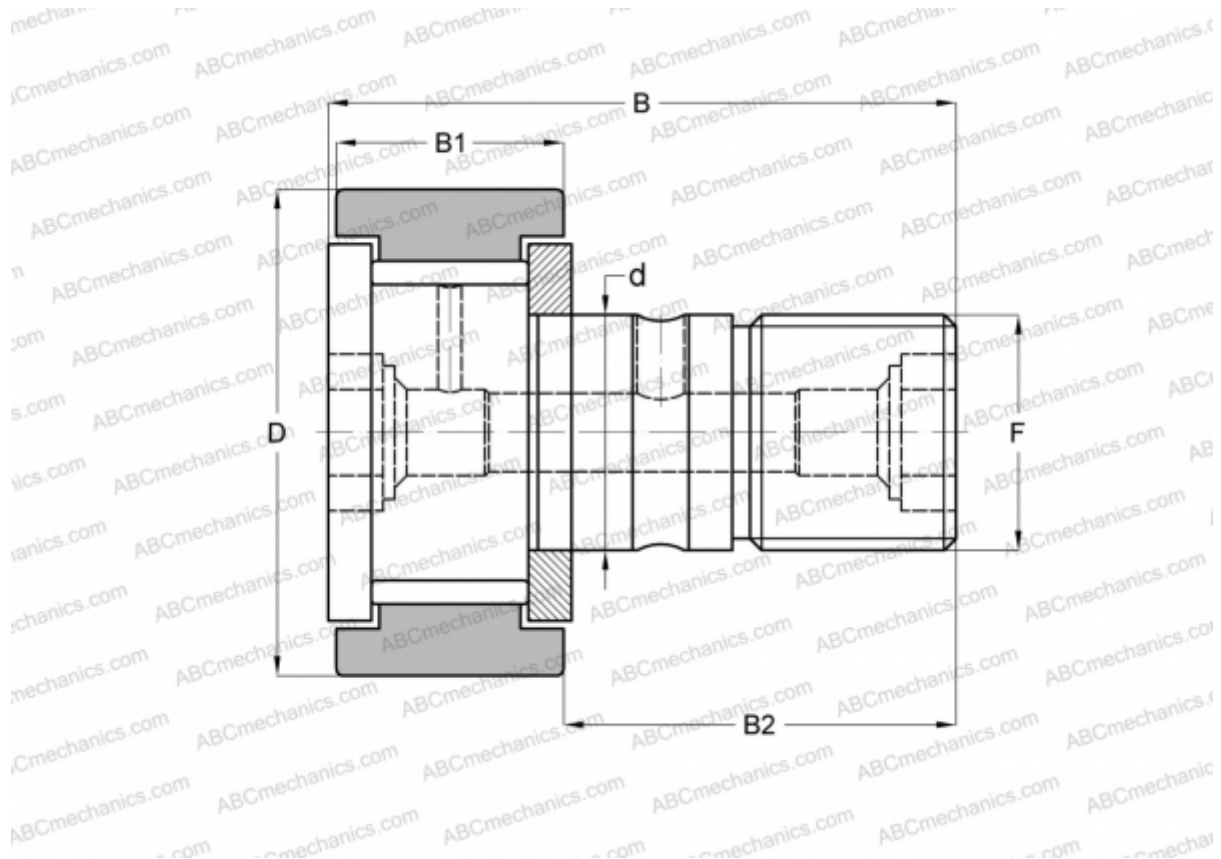


KRV 47 XSK SKF

Cam followers

TYPE: Roller bearings, Stud type track rollers, With axial guidance, full complement bearing, gap seal on both side, cylindrical outer ring, hex socket



Technical specification

DIMENSIONS, MM

d	20,000
D	47,000
B	66,100
B1	24,000
B2	40,500
F	M20x1.5

WEIGHT, KG 0,390

MANUFACTURER [SKF](#)

INTERCHANGE

ABC	CF 20-1 VB
IKO	CF 20-1 VB
INA	KRV 47 XSK
McGill	MCF-47-BX