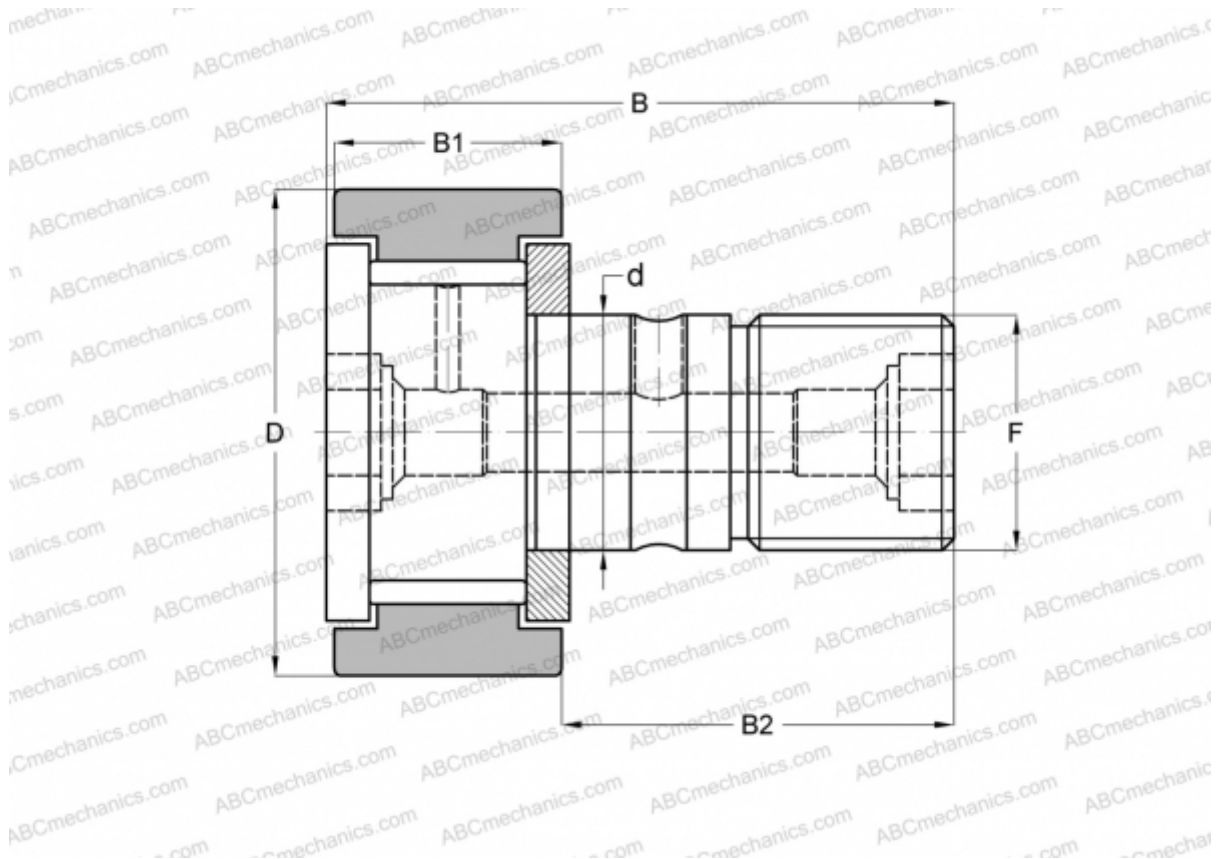


## KRV 62 X SKF

Cam followers

TYPE: Roller bearings, Stud type track rollers, With axial guidance, full complement bearing, gap seal on both side, cylindrical outer ring, hex socket



### Technical specification

#### DIMENSIONS, MM

d	24,000
D	62,000
B	80,100
B1	29,000
B2	49,500
F	M24x1.5

**WEIGHT, KG** 0,820

**MANUFACTURER** [SKF](#)

#### INTERCHANGE

ABC	<a href="#">CF 24 VB</a>
IKO	<a href="#">CF 24 VB</a>
INA	<a href="#">KRV 62 X</a>
McGill	<a href="#">MCF-62-BX</a>