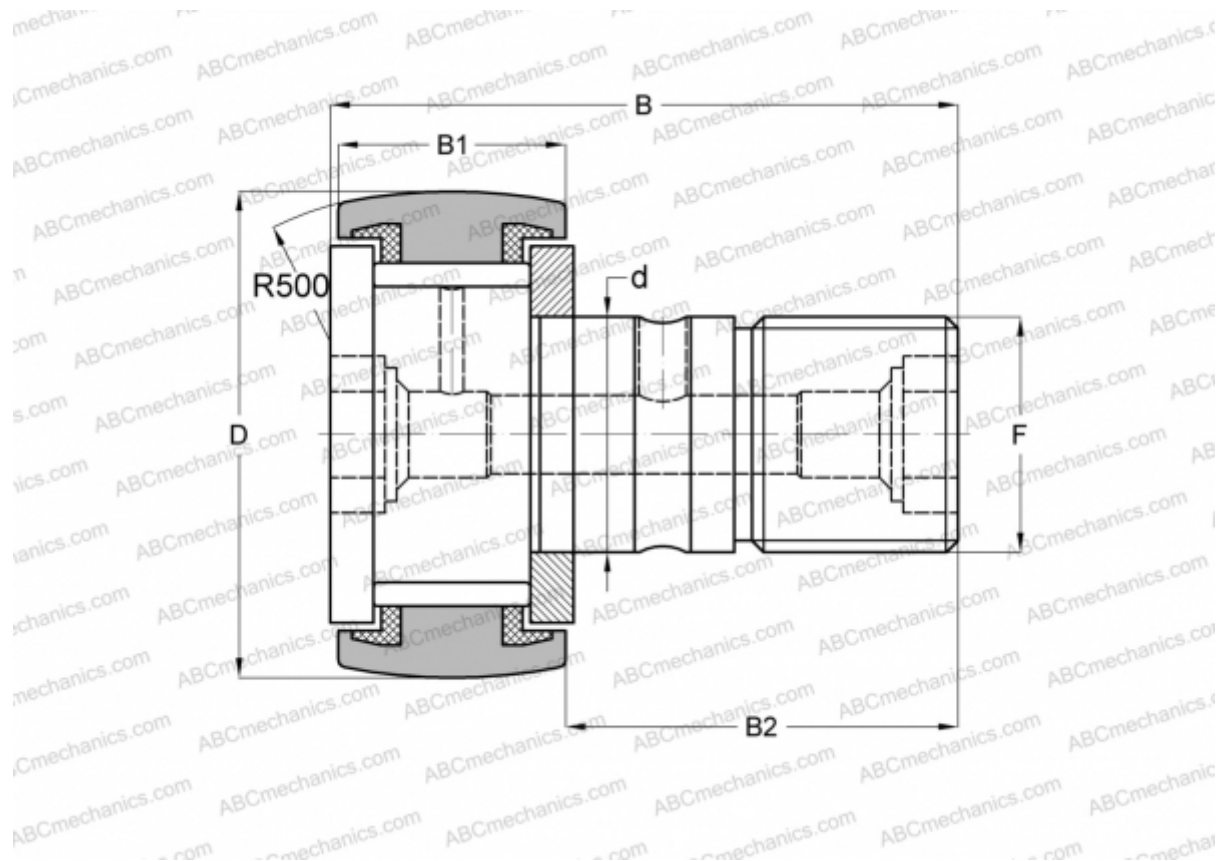


## MCF-30-SB McGill

Cam followers

TYPE: Roller bearings, Stud type track rollers, With axial guidance, full complement bearing, sealing rings on both sides, hex socket



### Technical specification

#### DIMENSIONS, MM

d	12,000
D	30,000
B	40,200
B1	14,000
B2	25,000
F	M12x1.5

**WEIGHT, KG** 0,097

**MANUFACTURER** [McGill](#)

#### INTERCHANGE

ABC	<a href="#">CF 12 VBUUR</a>
IKO	<a href="#">CF 12 VBUUR</a>
INA	<a href="#">KRV 30 PPSK</a>
SKF	<a href="#">KRV 30 PPSK</a>