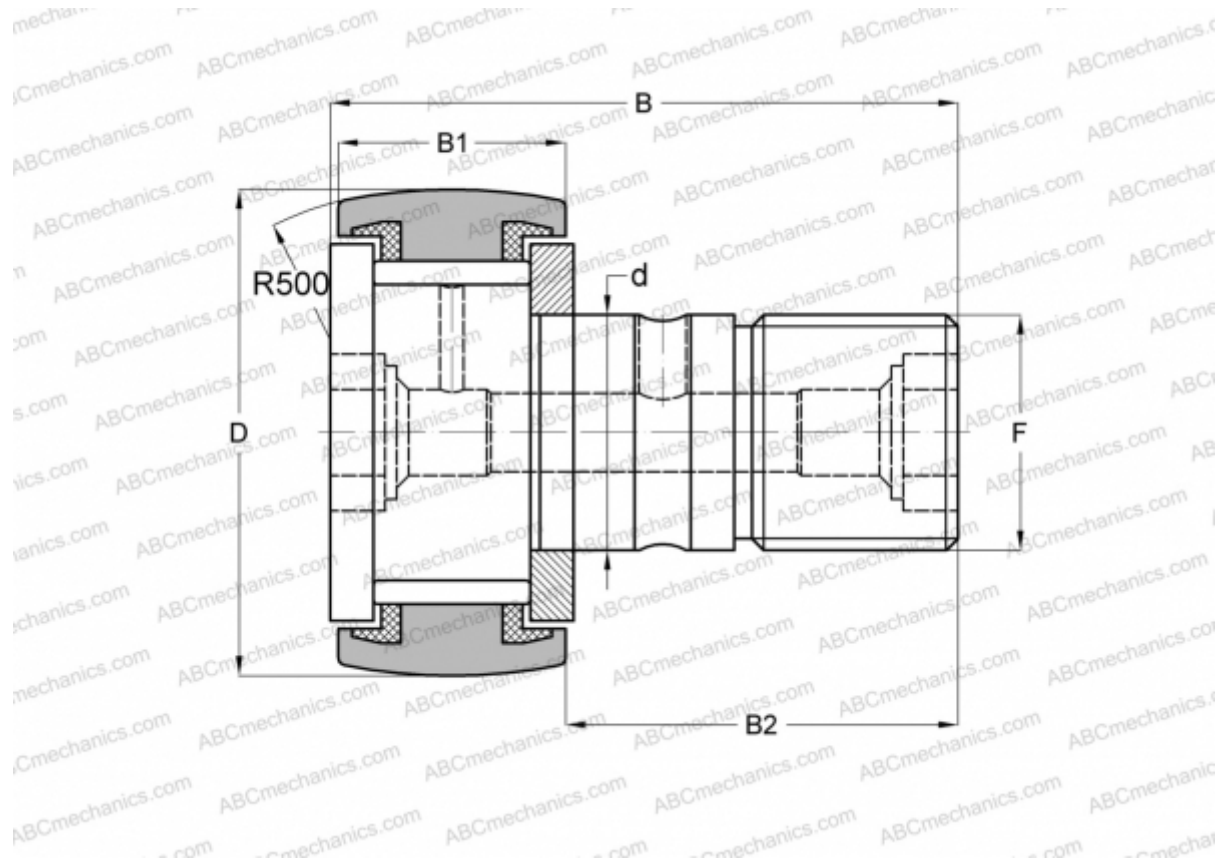


CF 12-1 VBUUR ABC

Cam followers

TYPE: Roller bearings, Stud type track rollers, With axial guidance, full complement bearing, sealing rings on both sides, hex socket



Technical specification

DIMENSIONS, MM

d	12,000
D	32,000
B	40,200
B1	14,000
B2	25,000
F	M12x1.5

WEIGHT, KG 0,107

MANUFACTURER [ABC](#)

INTERCHANGE

IKO	CF 12-1 VBUUR
INA	KRV 32 PPSK
SKF	KRV 32 PPSK
McGill	MCF-32-SB