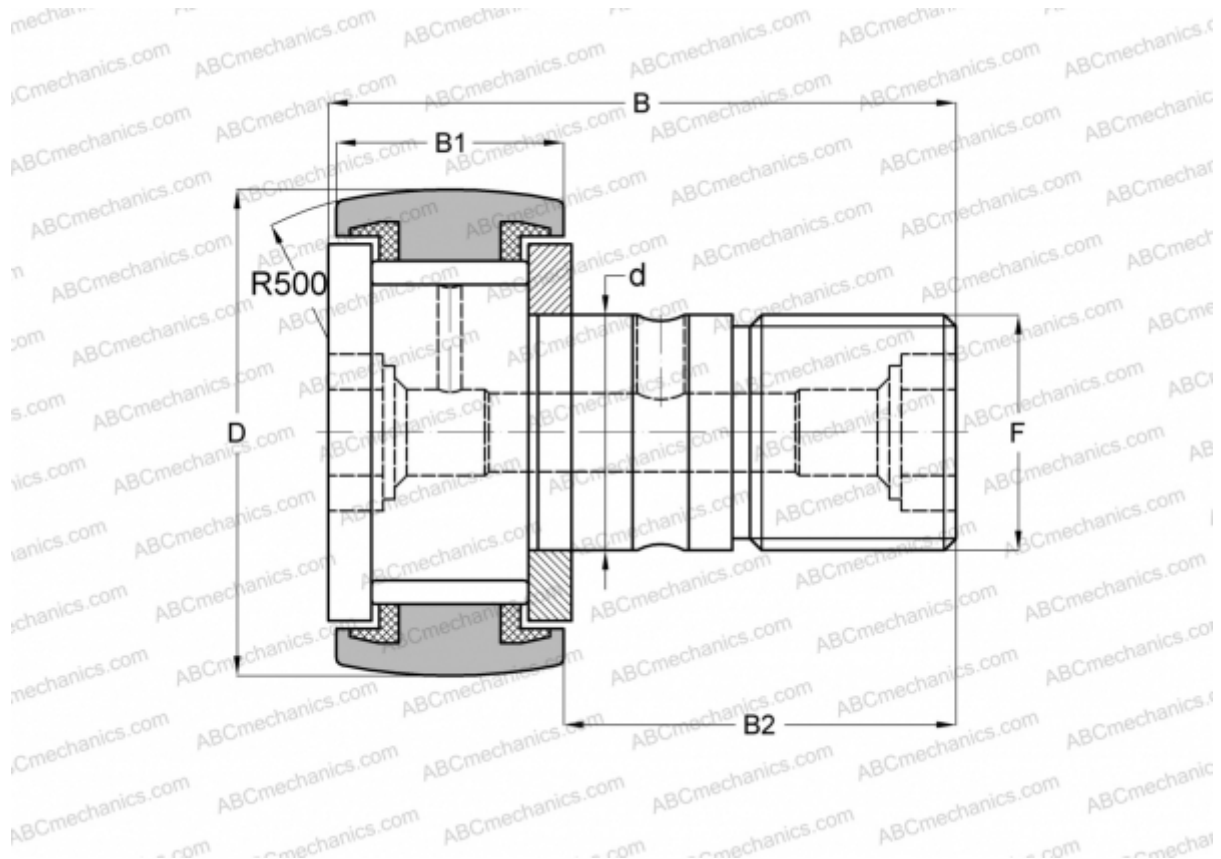


## KRV 32 PPSK SKF

Cam followers

TYPE: Roller bearings, Stud type track rollers, With axial guidance, full complement bearing, sealing rings on both sides, hex socket



### Technical specification

#### DIMENSIONS, MM

d	12,000
D	32,000
B	40,200
B1	14,000
B2	25,000
F	M12x1.5

**WEIGHT, KG** 0,107

**MANUFACTURER** [SKF](#)

#### INTERCHANGE

ABC	<a href="#">CF 12-1 VBUUR</a>
IKO	<a href="#">CF 12-1 VBUUR</a>
INA	<a href="#">KRV 32 PPSK</a>
McGill	<a href="#">MCF-32-SB</a>