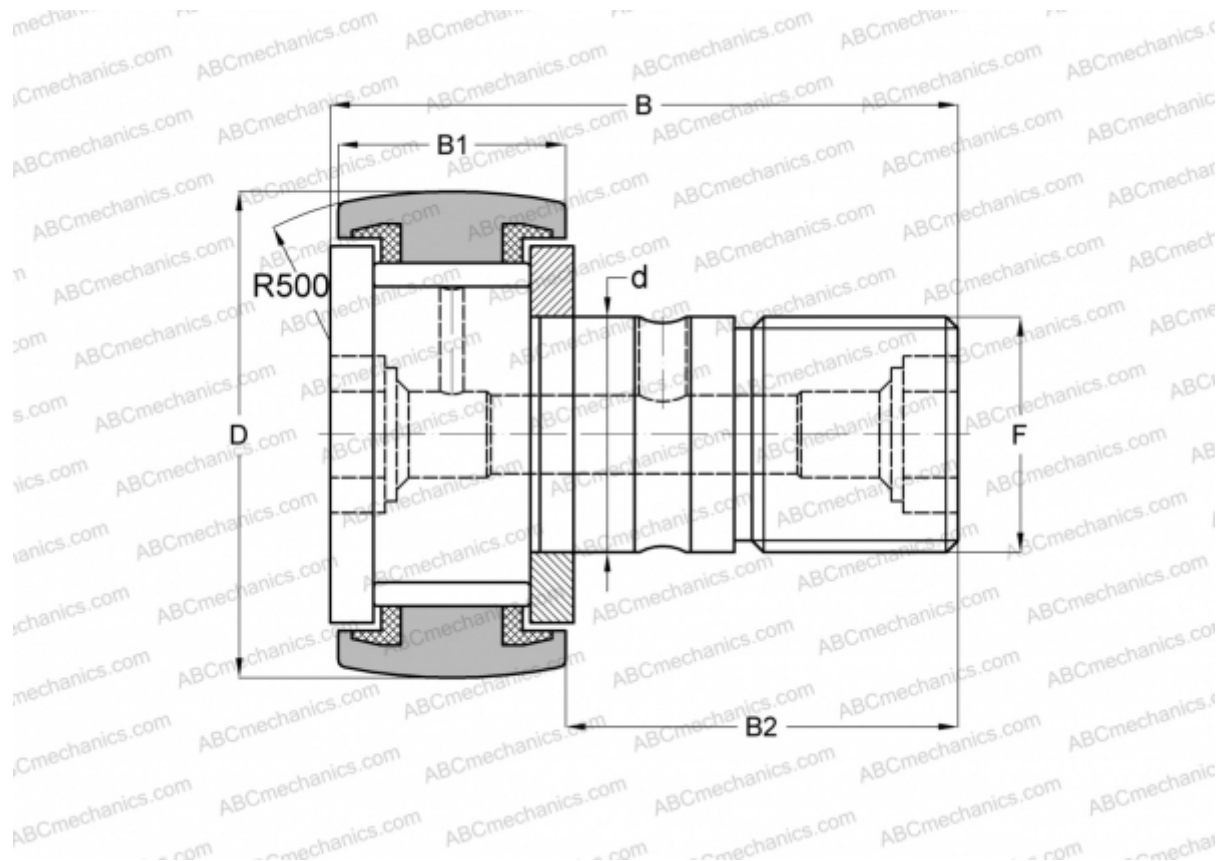


## MCF-72-SB McGill

Cam followers

TYPE: Roller bearings, Stud type track rollers, With axial guidance, full complement bearing, sealing rings on both sides, hex socket



### Technical specification

#### DIMENSIONS, MM

d	24,000
D	72,000
B	80,100
B1	29,000
B2	49,500
F	M24x1.5

**WEIGHT, KG** 1,140

**MANUFACTURER** [McGill](#)

#### INTERCHANGE

ABC	<a href="#">CF 24-1 VBUUR</a>
IKO	<a href="#">CF 24-1 VBUUR</a>
INA	<a href="#">KRV 72 PP</a>
SKF	<a href="#">KRV 72 PP</a>