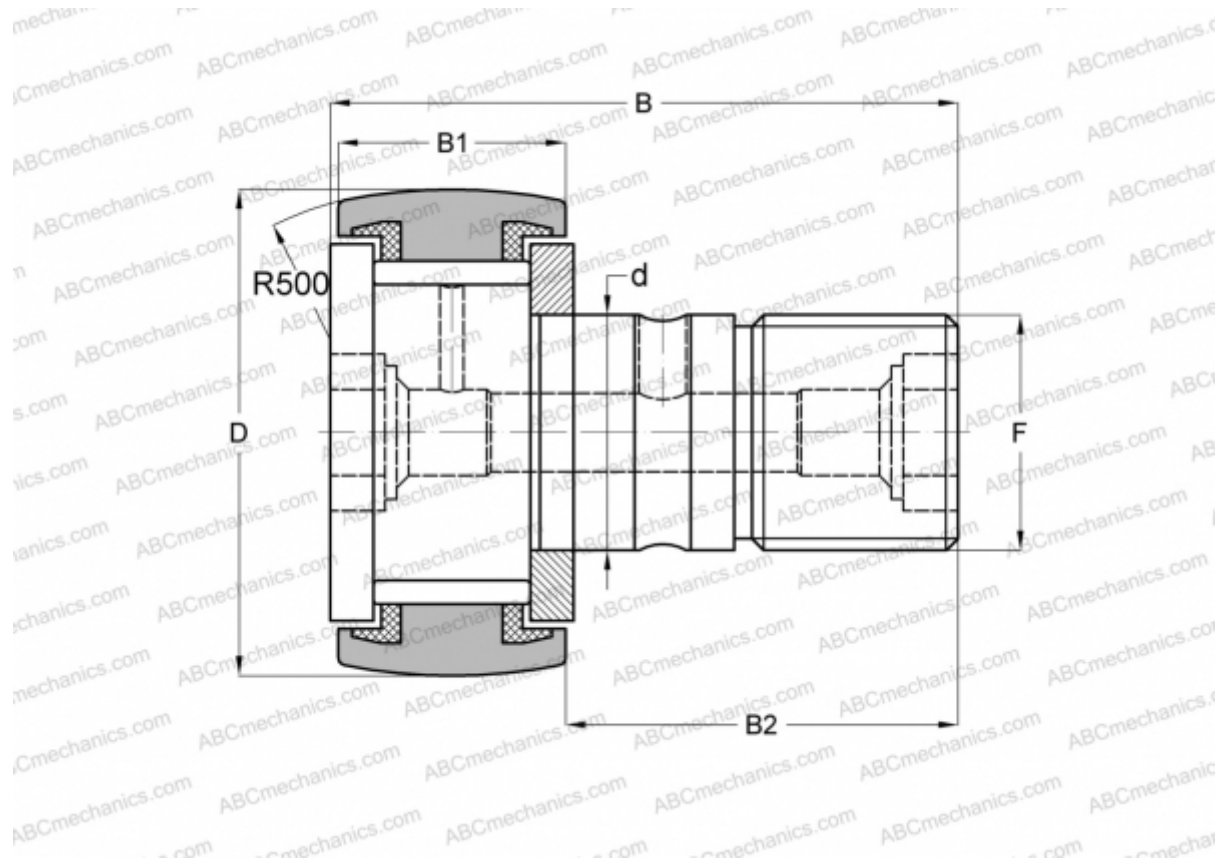


KRV 80 PP INA

Cam followers

TYPE: Roller bearings, Stud type track rollers, With axial guidance, full complement bearing, sealing rings on both sides, hex socket



Technical specification

DIMENSIONS, MM

d	30,000
D	80,000
B	100,000
B1	35,000
B2	63,000
F	M30x1.5

WEIGHT, KG 1,870

MANUFACTURER [INA](#)

INTERCHANGE

ABC	CF 30 VBUUR
IKO	CF 30 VBUUR
SKF	KRV 80 PP
McGill	MCF-80-SB