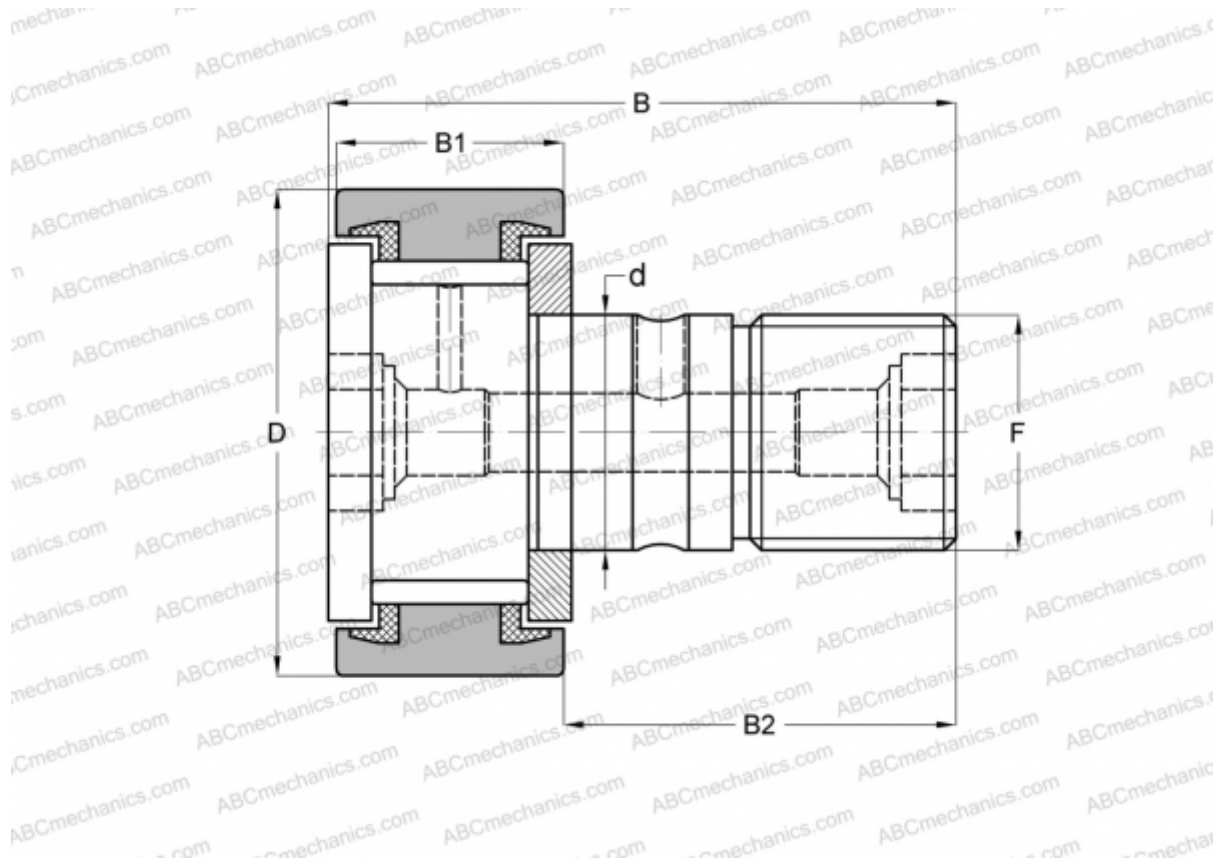


## CF 6 VBUU IKO

Cam followers

TYPE: Roller bearings, Stud type track rollers, With axial guidance, full complement bearing, sealing rings on both sides, cylindrical outer ring



### Technical specification

#### DIMENSIONS, MM

d	6,000
D	16,000
B	28,200
B1	11,000
B2	16,000
F	M6x1

**WEIGHT, KG** 0,019

**MANUFACTURER** [IKO](#)

#### INTERCHANGE

ABC	<a href="#">CF 6 VBUU</a>
INA	<a href="#">KRV 16 PPXSK</a>
SKF	<a href="#">KRV 16 PPXSK</a>
McGill	<a href="#">MCF-16-SBX</a>

#### CALCULATION DATA

Basic dynamic load rating, C	6,980 kN
Basic static load rating, Co	8,500 kN