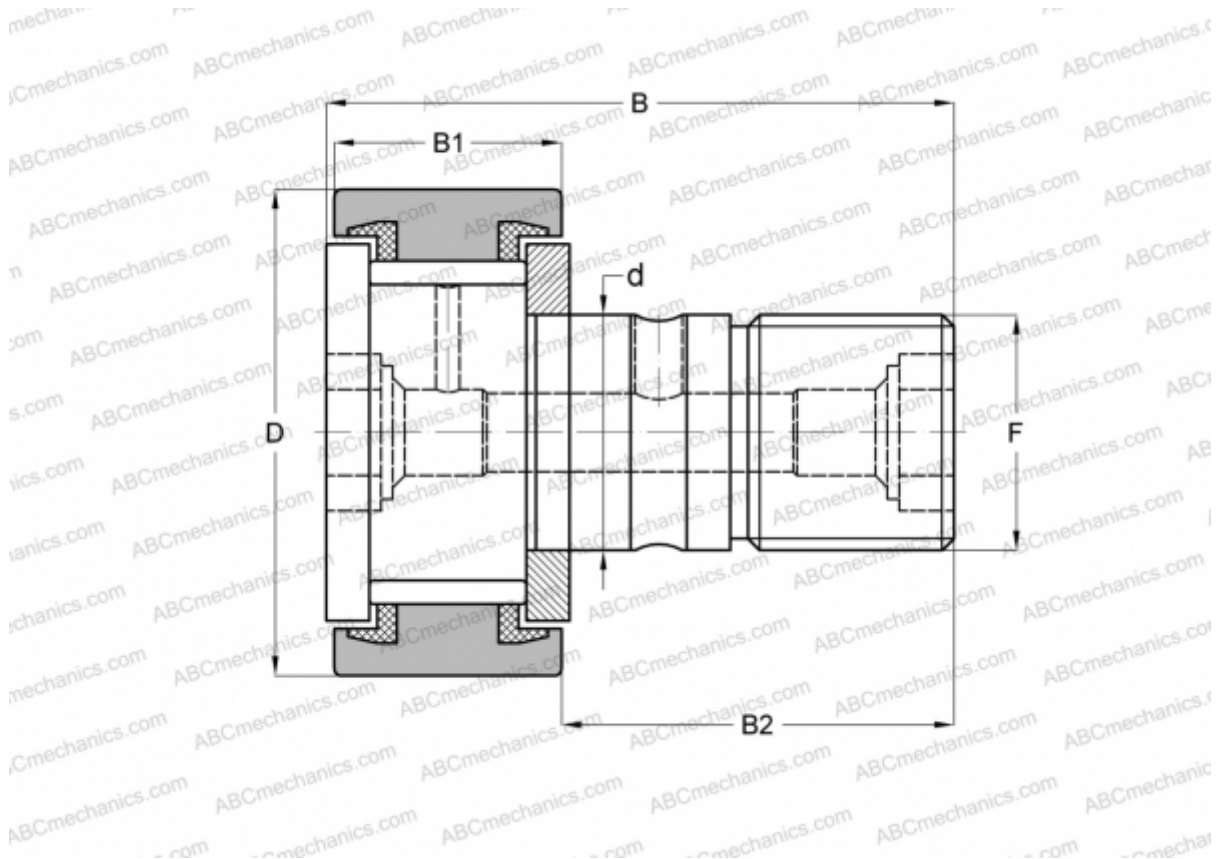


## KRV 22 PPXSK INA

Cam followers

TYPE: Roller bearings, Stud type track rollers, With axial guidance, full complement bearing, sealing rings on both sides, cylindrical outer ring



### Technical specification

#### DIMENSIONS, MM

d	10,000
D	22,000
B	36,200
B1	12,000
B2	23,000
F	M10x1

**WEIGHT, KG** 0,046

**MANUFACTURER** [INA](#)

#### INTERCHANGE

ABC	<a href="#">CF 10 VBUUM</a>
IKO	<a href="#">CF 10 VBUUM</a>
SKF	<a href="#">KRV 22 PPXSK</a>
McGill	<a href="#">MCF-22-SBX</a>