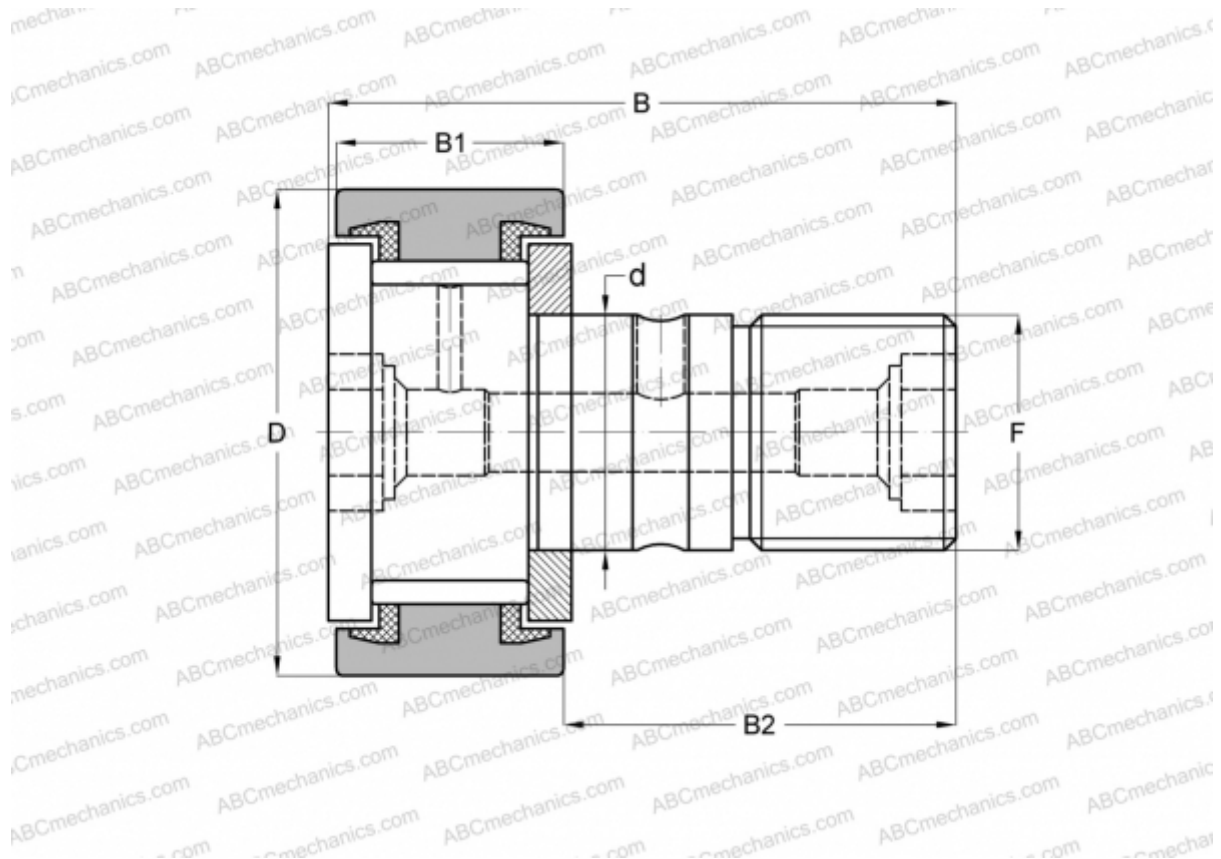


## CF 10-1 VBUU IKO

Cam followers

TYPE: Roller bearings, Stud type track rollers, With axial guidance, full complement bearing, sealing rings on both sides, cylindrical outer ring



### Technical specification

#### DIMENSIONS, MM

d	10,000
D	26,000
B	36,200
B1	12,000
B2	23,000
F	M10x1.25

**WEIGHT, KG** 0,061

**MANUFACTURER** [IKO](#)

#### INTERCHANGE

ABC	<a href="#">CF 10-1 VBUU</a>
McGill	<a href="#">MCF-26A-SBX</a>

#### CALCULATION DATA

Basic dynamic load rating, C	9,570 kN
------------------------------	----------

#### CALCULATION DATA

Basic static load rating, Co	14,500 kN
------------------------------	-----------