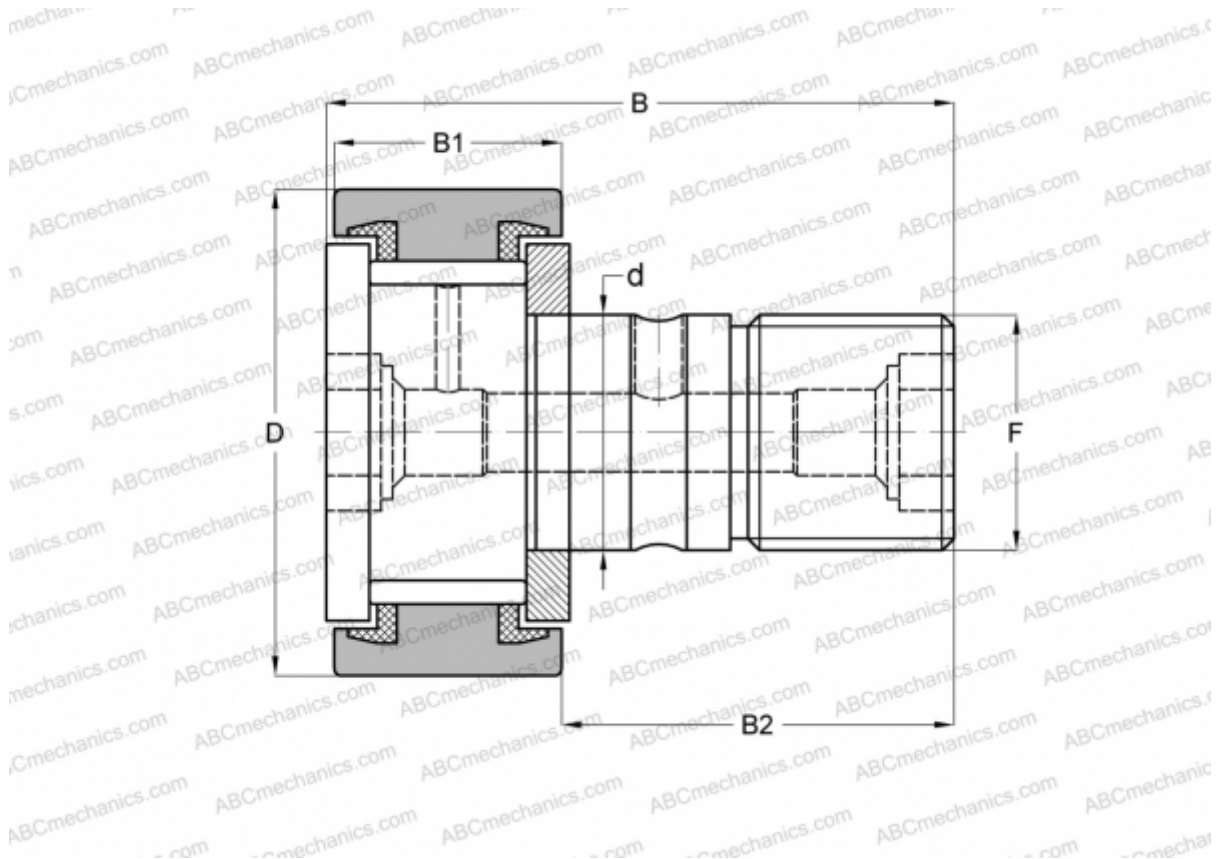


CF 10-1 VBUUM IKO

Cam followers

TYPE: Roller bearings, Stud type track rollers, With axial guidance, full complement bearing, sealing rings on both sides, cylindrical outer ring



Technical specification

DIMENSIONS, MM

d	10,000
D	26,000
B	36,200
B1	12,000
B2	23,000
F	M10x1

WEIGHT, KG 0,061

MANUFACTURER [IKO](#)

INTERCHANGE

ABC	CF 10-1 VBUUM
INA	KRV 26 PPXSK
SKF	KRV 26 PPXSK
McGill	MCF-26-SBX

CALCULATION DATA

Basic dynamic load rating, C	9,570 kN
Basic static load rating, Co	14,500 kN