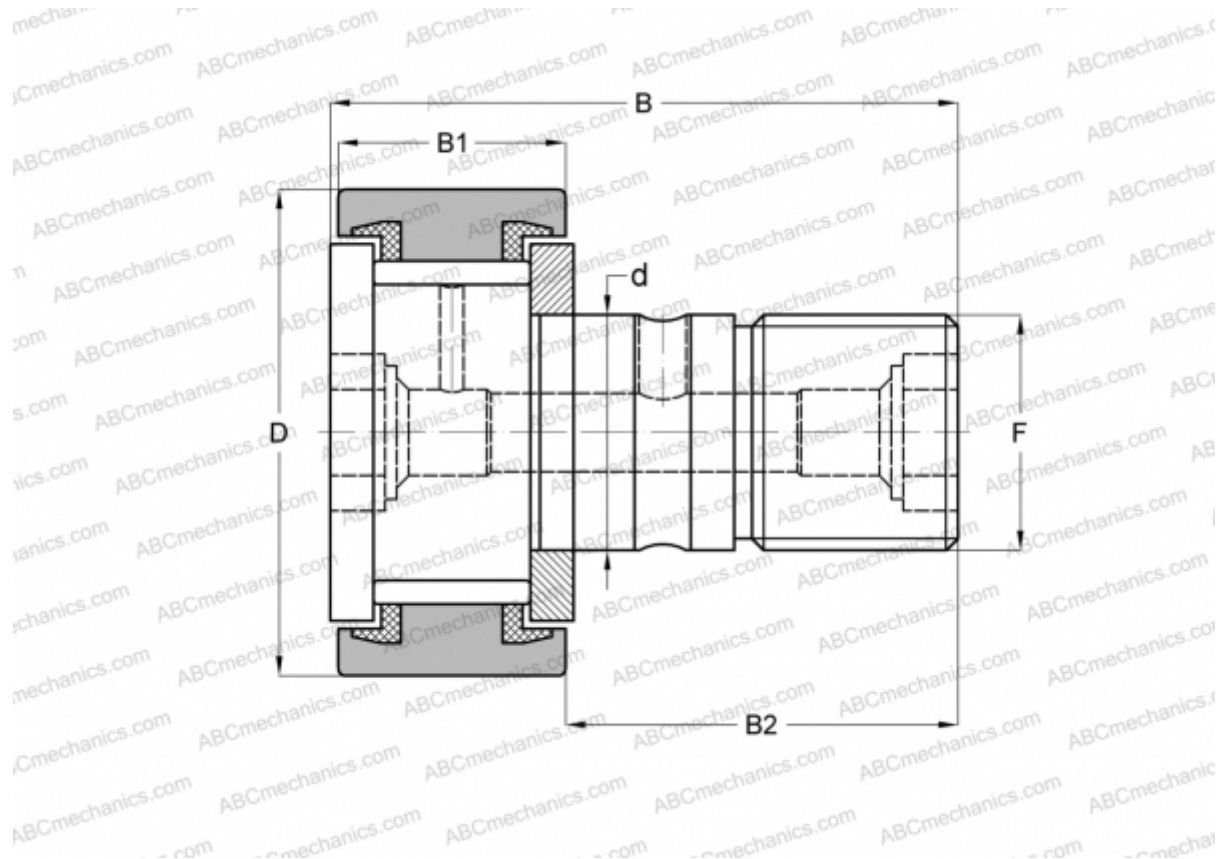


KRV 26 PPXSK INA

Cam followers

TYPE: Roller bearings, Stud type track rollers, With axial guidance, full complement bearing, sealing rings on both sides, cylindrical outer ring



Technical specification

DIMENSIONS, MM

| | |
|----|--------|
| d | 10,000 |
| D | 26,000 |
| B | 36,200 |
| B1 | 12,000 |
| B2 | 23,000 |
| F | M10x1 |

WEIGHT, KG 0,061

MANUFACTURER [INA](#)

INTERCHANGE

| | |
|--------|-------------------------------|
| ABC | CF 10-1 VBUUM |
| IKO | CF 10-1 VBUUM |
| SKF | KRV 26 PPXSK |
| McGill | MCF-26-SBX |