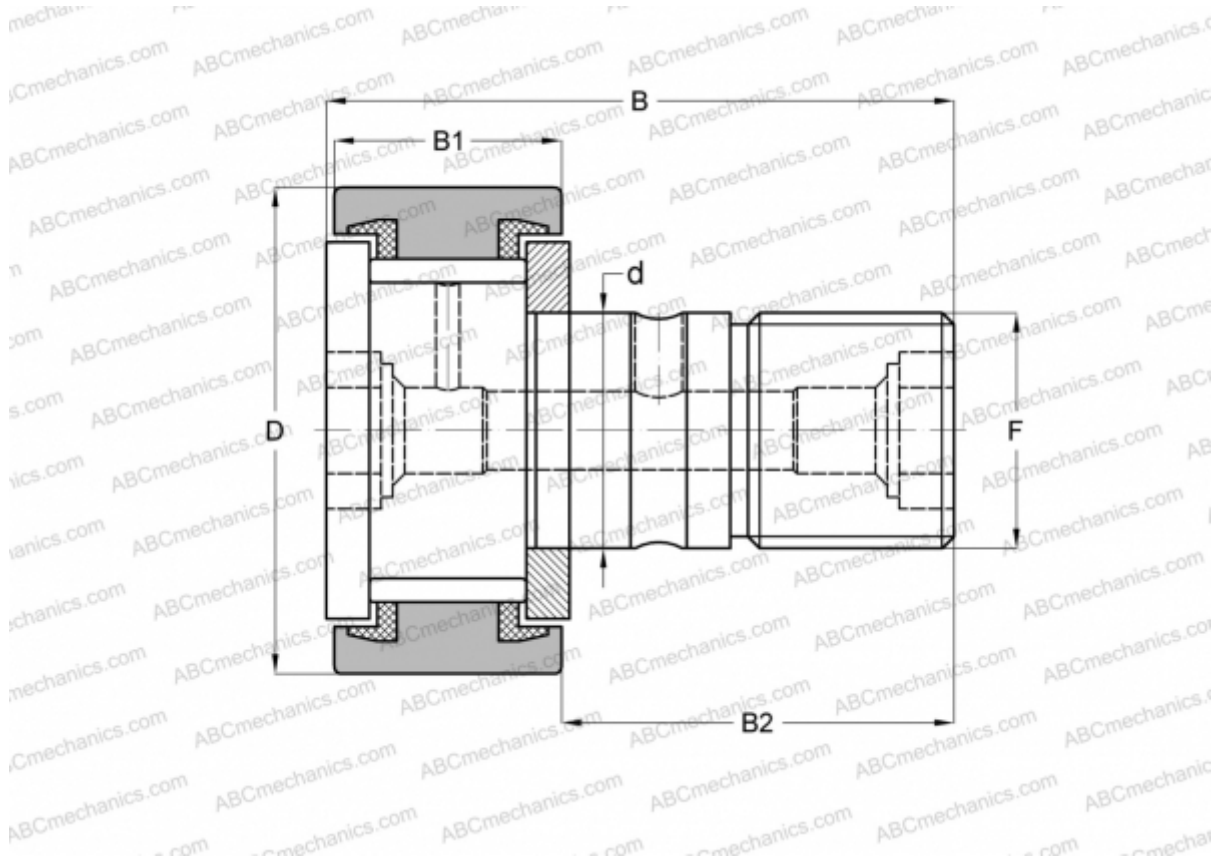


## KRV 30 PPXSK SKF

Cam followers

TYPE: Roller bearings, Stud type track rollers, With axial guidance, full complement bearing, sealing rings on both sides, cylindrical outer ring



### Technical specification

#### DIMENSIONS, MM

d	12,000
D	30,000
B	40,200
B1	14,000
B2	25,000
F	M12x1.5

**WEIGHT, KG** 0,097

**MANUFACTURER** [SKF](#)

#### INTERCHANGE

ABC	<a href="#">CF 12 VBUU</a>
IKO	<a href="#">CF 12 VBUU</a>
INA	<a href="#">KRV 30 PPXSK</a>
McGill	<a href="#">MCF-30-SBX</a>