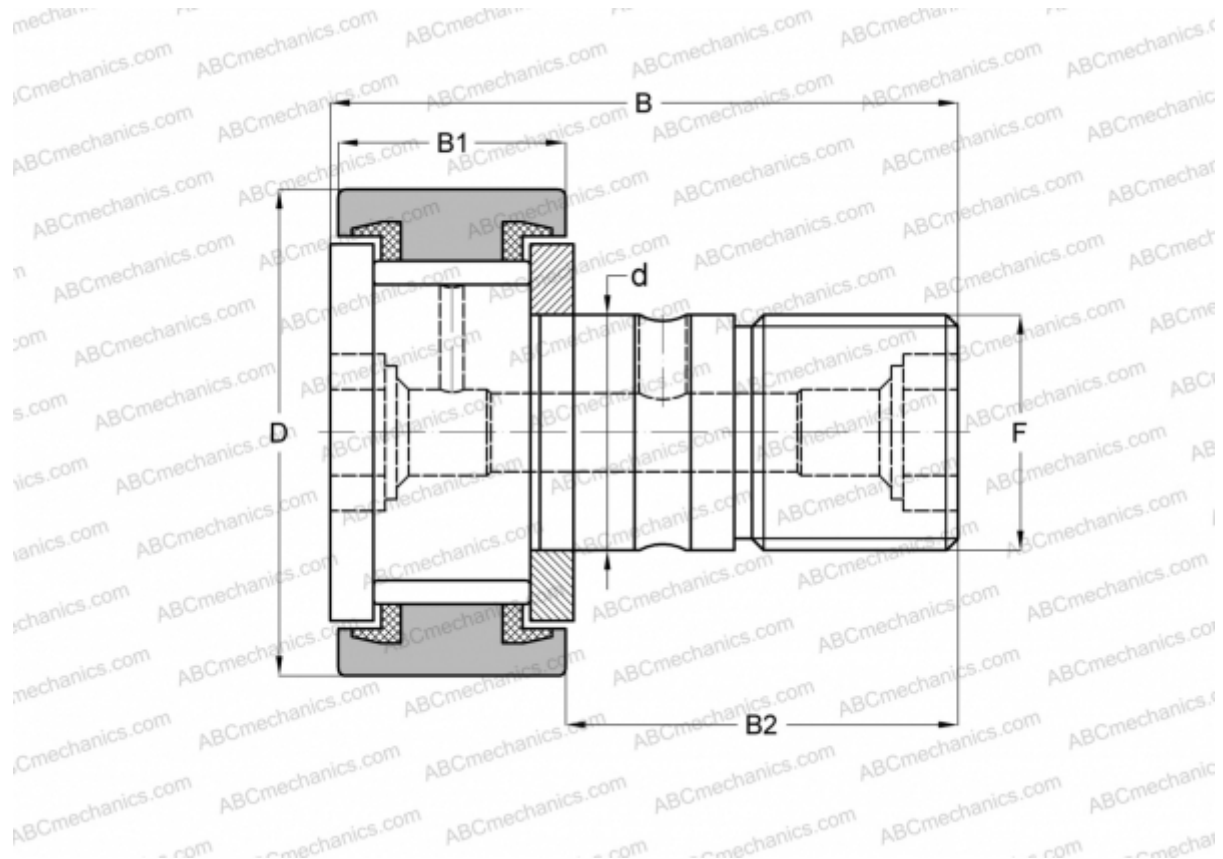


MCF-30-SBX McGill

Cam followers

TYPE: Roller bearings, Stud type track rollers, With axial guidance, full complement bearing, sealing rings on both sides, cylindrical outer ring



Technical specification

DIMENSIONS, MM

d	12,000
D	30,000
B	40,200
B1	14,000
B2	25,000
F	M12x1.5

WEIGHT, KG 0,097

MANUFACTURER [McGill](#)

INTERCHANGE

ABC	CF 12 VBUU
IKO	CF 12 VBUU
INA	KRV 30 PPXSK
SKF	KRV 30 PPXSK