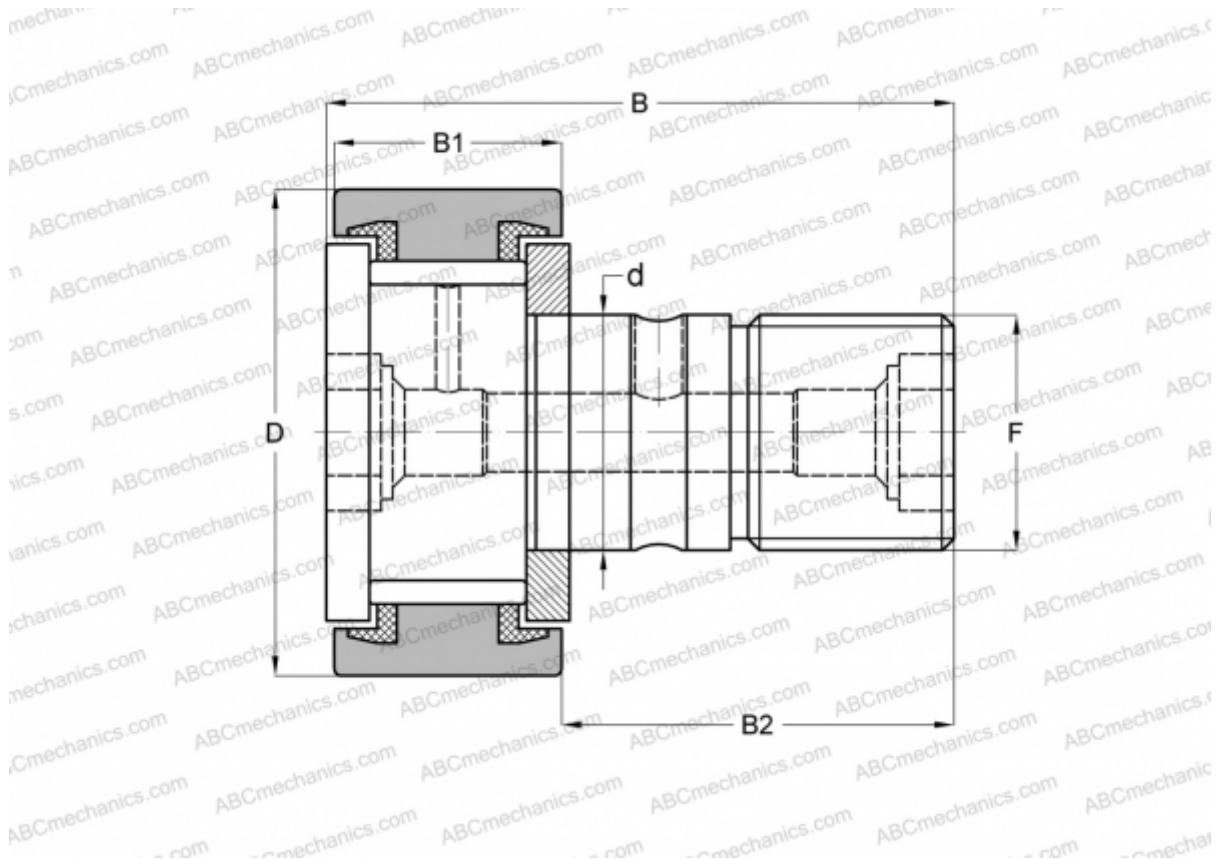


KRV 32 PPXSK SKF

Cam followers

TYPE: Roller bearings, Stud type track rollers, With axial guidance, full complement bearing, sealing rings on both sides, cylindrical outer ring



Technical specification

DIMENSIONS, MM

d	12,000
D	32,000
B	40,200
B1	14,000
B2	25,000
F	M12x1.5

WEIGHT, KG 0,107

MANUFACTURER [SKF](#)

INTERCHANGE

ABC	CF 12-1 VBUU
IKO	CF 12-1 VBUU
INA	KRV 32 PPXSK
McGill	MCF-32-SBX