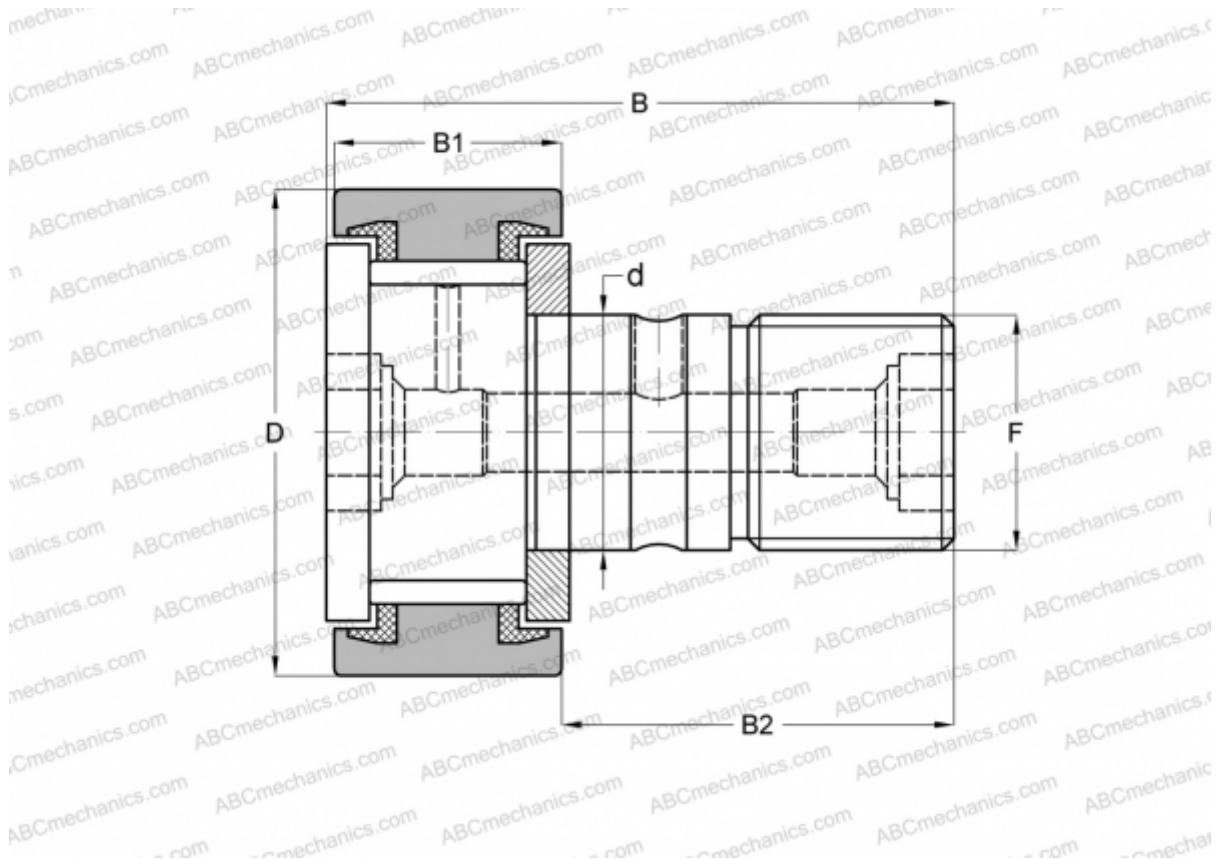


CF 16 VBUU IKO

Cam followers

TYPE: Roller bearings, Stud type track rollers, With axial guidance, full complement bearing, sealing rings on both sides, cylindrical outer ring



Technical specification

DIMENSIONS, MM

d	16,000
D	35,000
B	52,100
B1	18,000
B2	32,500
F	M16x1.5

WEIGHT, KG 0,173

MANUFACTURER [IKO](#)

INTERCHANGE

ABC	CF 16 VBUU
INA	KRV 35 PPXSK
SKF	KRV 35 PPXSK
McGill	MCF-35-SBX

CALCULATION DATA

Basic dynamic load rating, C	20,700 kN
Basic static load rating, Co	37,600 kN