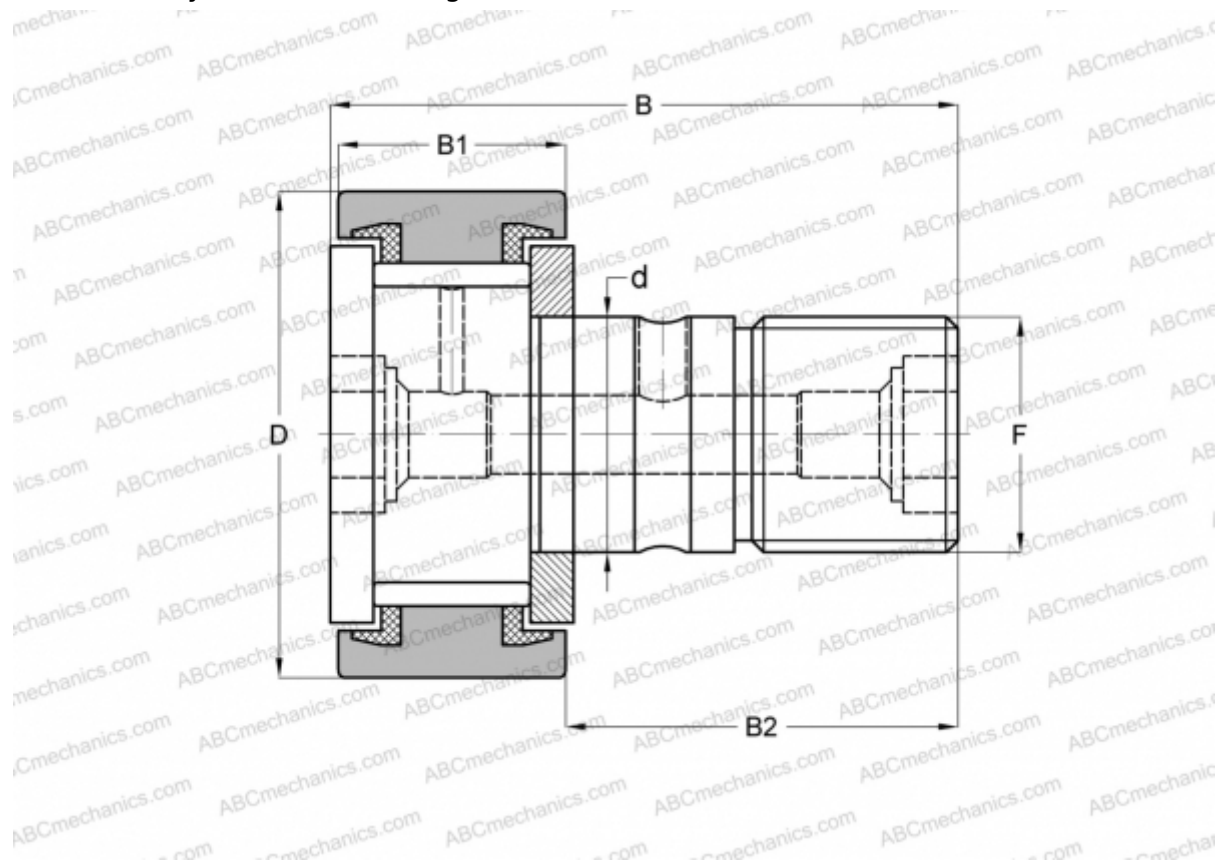


KRV 35 PPXSK SKF

Cam followers

TYPE: Roller bearings, Stud type track rollers, With axial guidance, full complement bearing, sealing rings on both sides, cylindrical outer ring



Technical specification

DIMENSIONS, MM

| | |
|----|---------|
| d | 16,000 |
| D | 35,000 |
| B | 52,100 |
| B1 | 18,000 |
| B2 | 32,500 |
| F | M16x1.5 |

WEIGHT, KG 0,173

MANUFACTURER [SKF](#)

INTERCHANGE

| | |
|--------|------------------------------|
| ABC | CF 16 VBUU |
| IKO | CF 16 VBUU |
| INA | KRV 35 PPXSK |
| McGill | MCF-35-SBX |