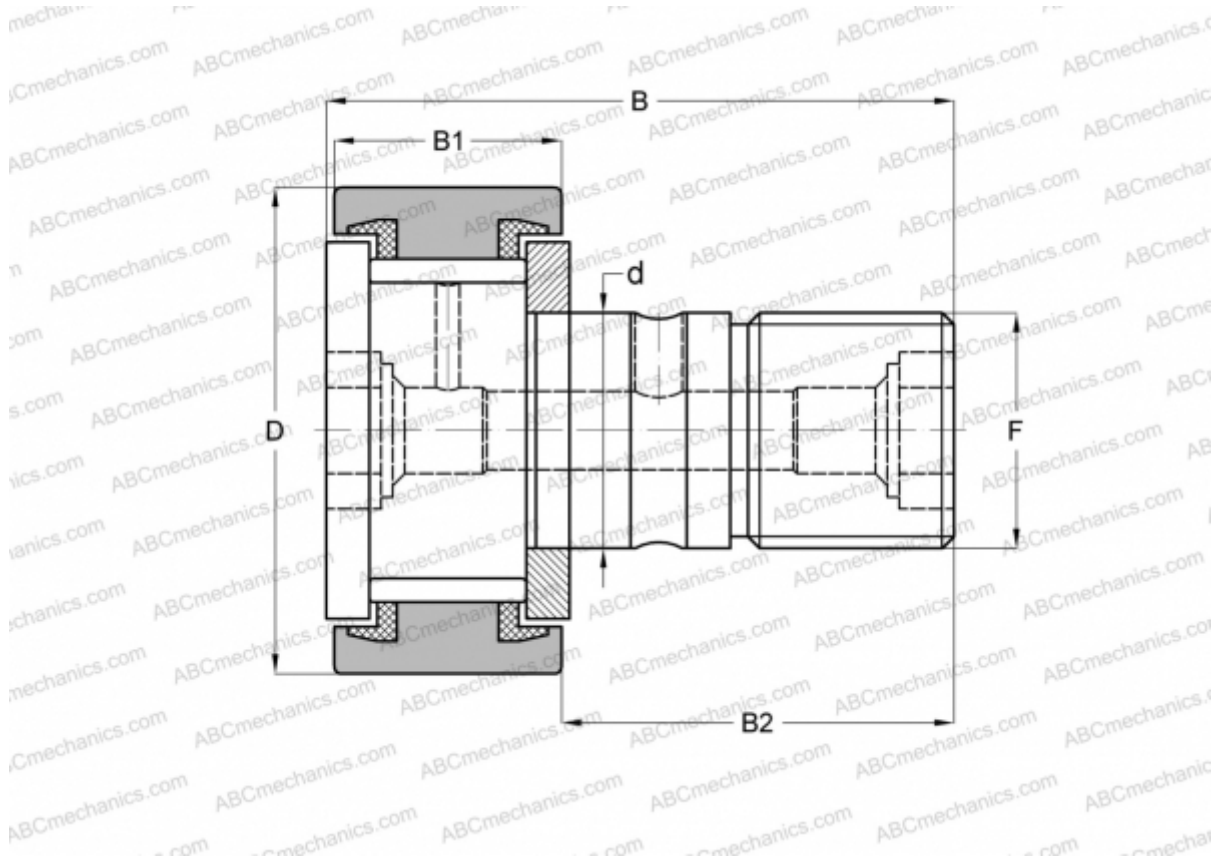


KRV 62 PPX INA

Cam followers

TYPE: Roller bearings, Stud type track rollers, With axial guidance, full complement bearing, sealing rings on both sides, cylindrical outer ring



Technical specification

DIMENSIONS, MM

| | |
|----|---------|
| d | 24,000 |
| D | 62,000 |
| B | 80,100 |
| B1 | 29,000 |
| B2 | 49,500 |
| F | M24x1.5 |

WEIGHT, KG 0,820

MANUFACTURER [INA](#)

INTERCHANGE

| | |
|--------|----------------------------|
| ABC | CF 24 VBUU |
| IKO | CF 24 VBUU |
| SKF | KRV 62 PPX |
| McGill | MCF-62-SBX |