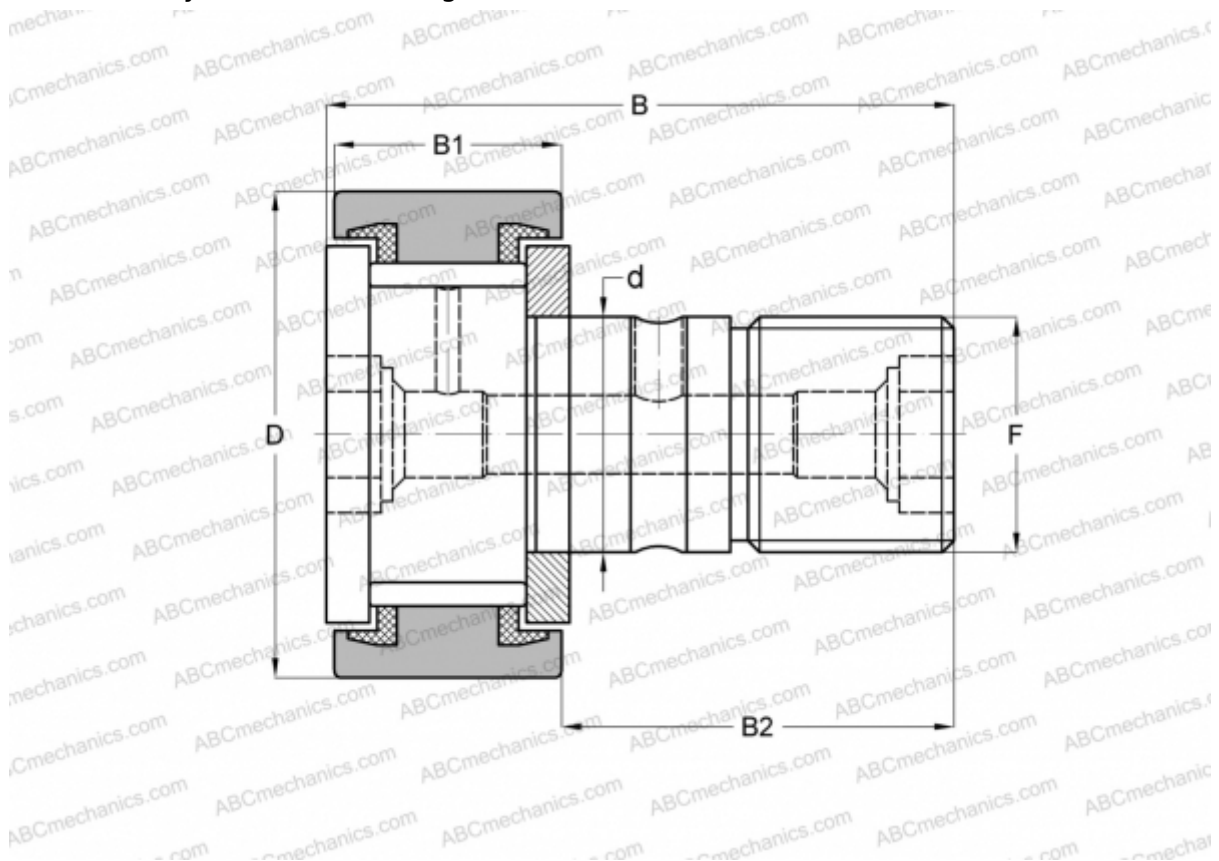


CF 30-1 VBUU IKO

Cam followers

TYPE: Roller bearings, Stud type track rollers, With axial guidance, full complement bearing, sealing rings on both sides, cylindrical outer ring



Technical specification

DIMENSIONS, MM

d	30,000
D	85,000
B	100,000
B1	35,000
B2	63,000
F	M30x1.5

WEIGHT, KG 2,030

MANUFACTURER [IKO](#)

INTERCHANGE

ABC	CF 30-1 VBUU
McGill	MCF-85-SBX

CALCULATION DATA

Basic dynamic load rating, C	67,700 kN
------------------------------	-----------

CALCULATION DATA

Basic static load rating, Co	144,000 kN
------------------------------	------------