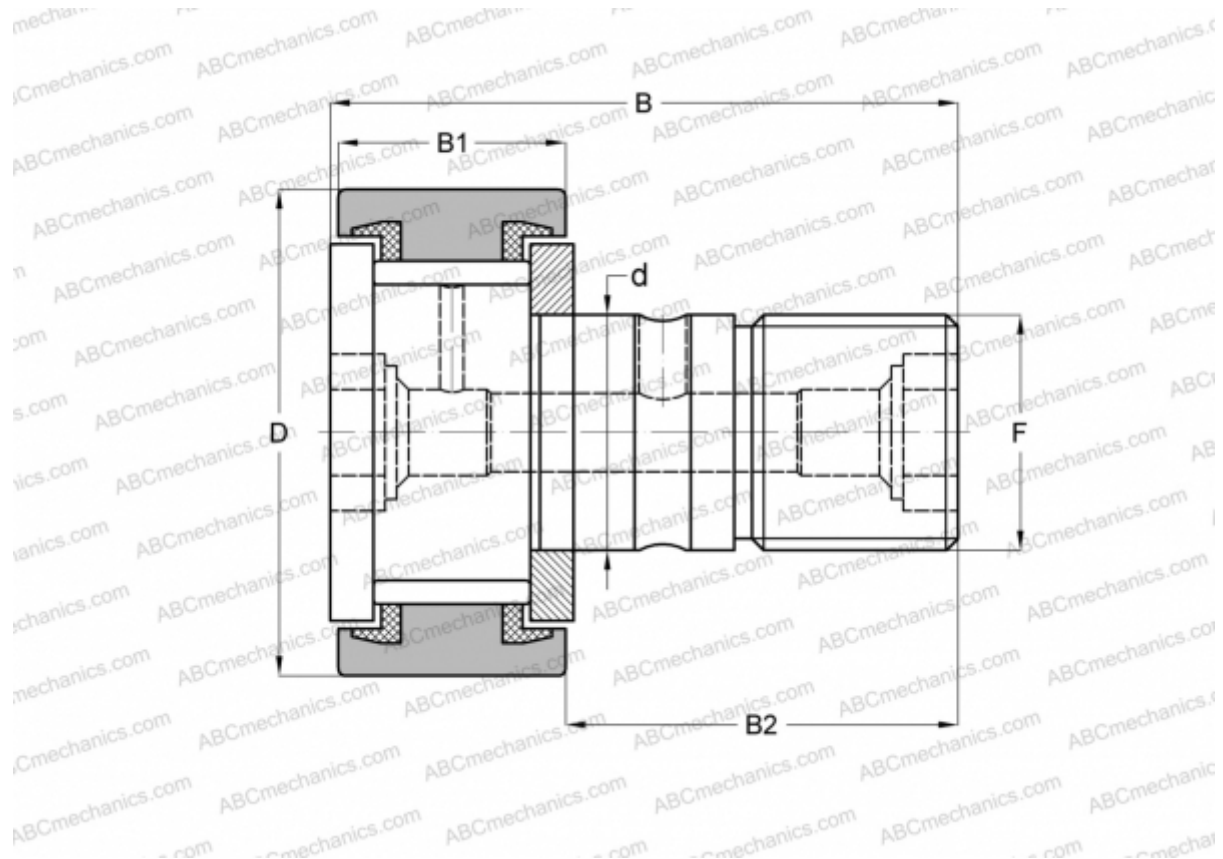


## CF 30-2 VBUU ABC

Cam followers

TYPE: Roller bearings, Stud type track rollers, With axial guidance, full complement bearing, sealing rings on both sides, cylindrical outer ring



### Technical specification

#### DIMENSIONS, MM

d	30,000
D	90,000
B	100,000
B1	35,000
B2	63,000
F	M30x1.5

**WEIGHT, KG** 2,220

**MANUFACTURER** [ABC](#)

#### INTERCHANGE

IKO	<a href="#">CF 30-2 VBUU</a>
INA	<a href="#">KRV 90 PPX</a>
SKF	<a href="#">KRV 90 PPX</a>
McGill	<a href="#">MCF-90-SBX</a>