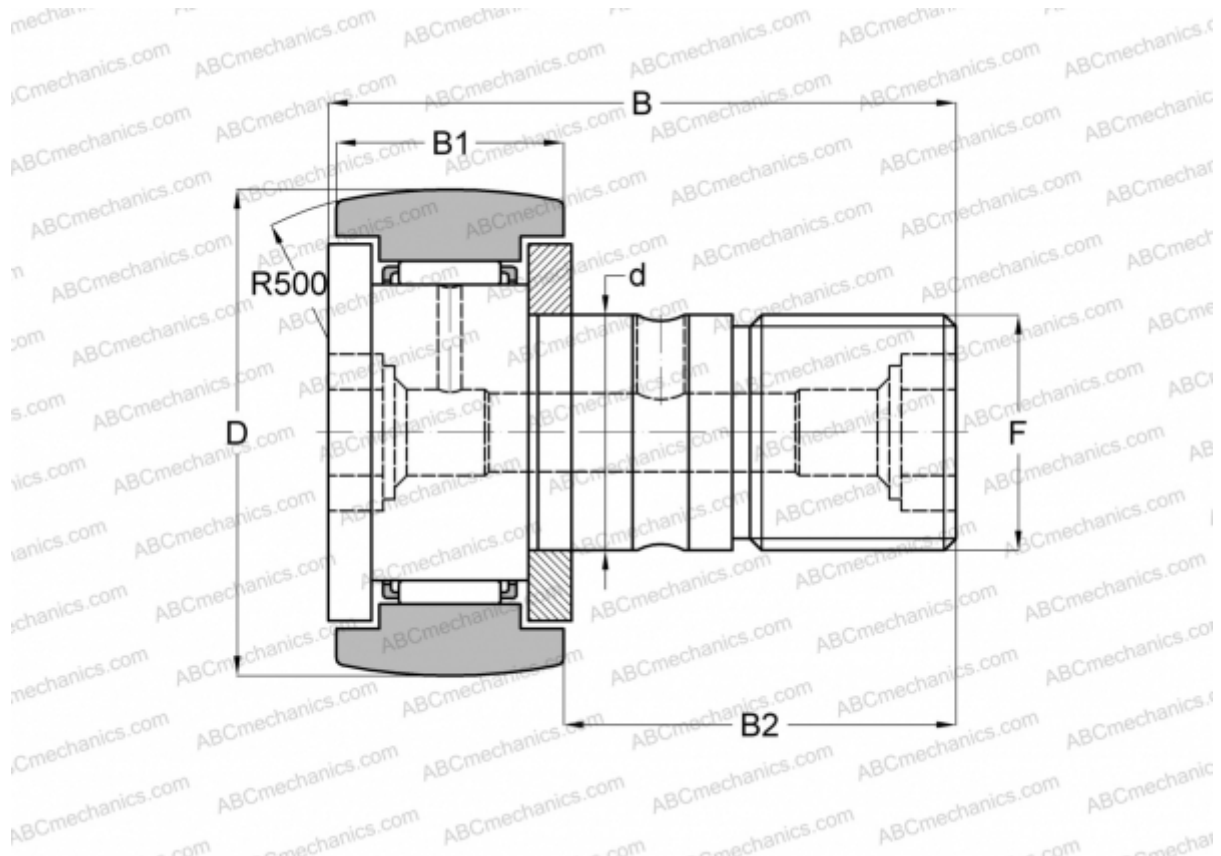


## CF 8 FBR IKO

Cam followers

TYPE: Roller bearings, Stud type track rollers, With axial guidance, gap seals on both side, stainless steel, hex hole



### Technical specification

#### DIMENSIONS, MM

|    |         |
|----|---------|
| d  | 8,000   |
| D  | 19,000  |
| B  | 32,200  |
| B1 | 11,000  |
| B2 | 20,000  |
| F  | M8x1.25 |

**WEIGHT, KG** 0,029

**MANUFACTURER** [IKO](#)

#### CALCULATION DATA

|                              |          |
|------------------------------|----------|
| Basic dynamic load rating, C | 3,400 kN |
| Basic static load rating, Co | 3,790 kN |