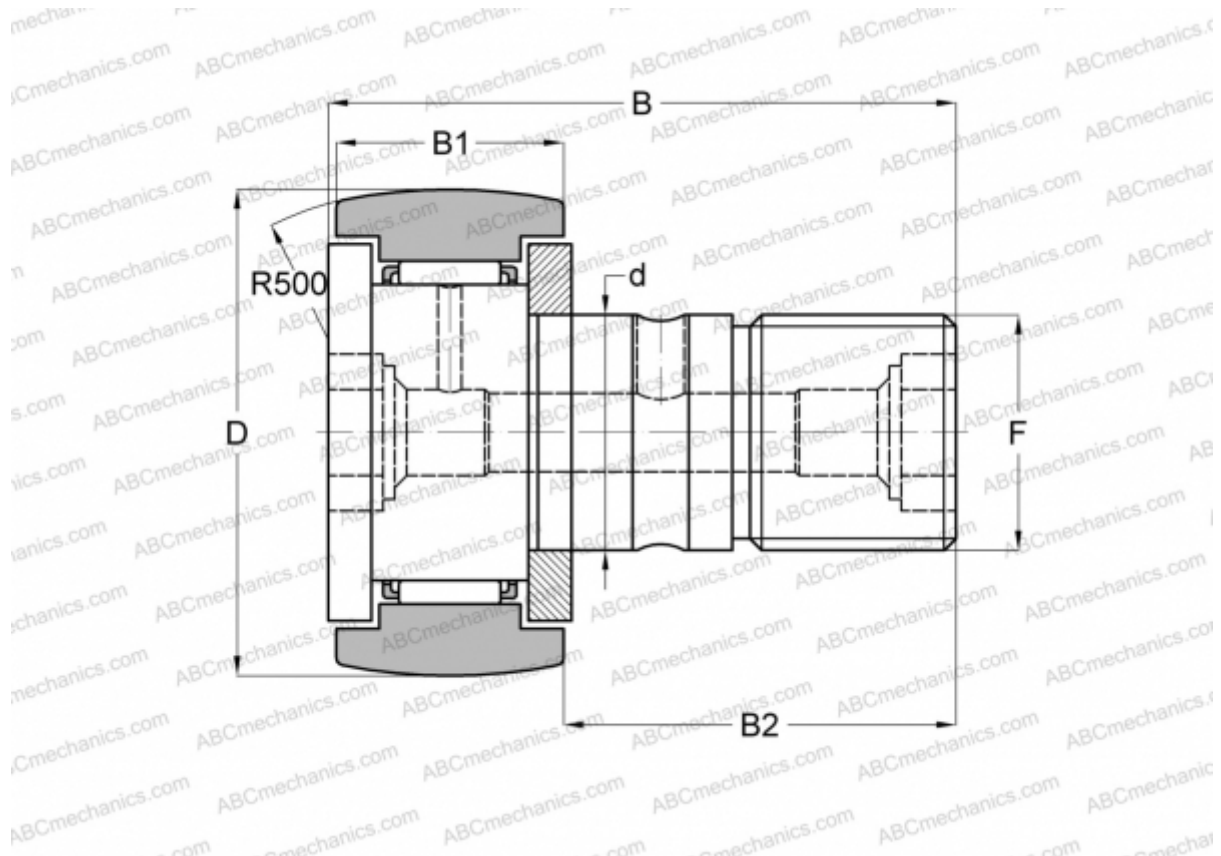


CF 18 FBR IKO

Cam followers

TYPE: Roller bearings, Stud type track rollers, With axial guidance, gap seals on both side, stainless steel, hex hole



Technical specification

DIMENSIONS, MM

| | |
|----|---------|
| d | 18,000 |
| D | 40,000 |
| B | 58,100 |
| B1 | 20,000 |
| B2 | 36,500 |
| F | M18x1.5 |

WEIGHT, KG 0,250

MANUFACTURER [IKO](#)

CALCULATION DATA

| | |
|------------------------------|-----------|
| Basic dynamic load rating, C | 11,800 kN |
| Basic static load rating, Co | 20,200 kN |