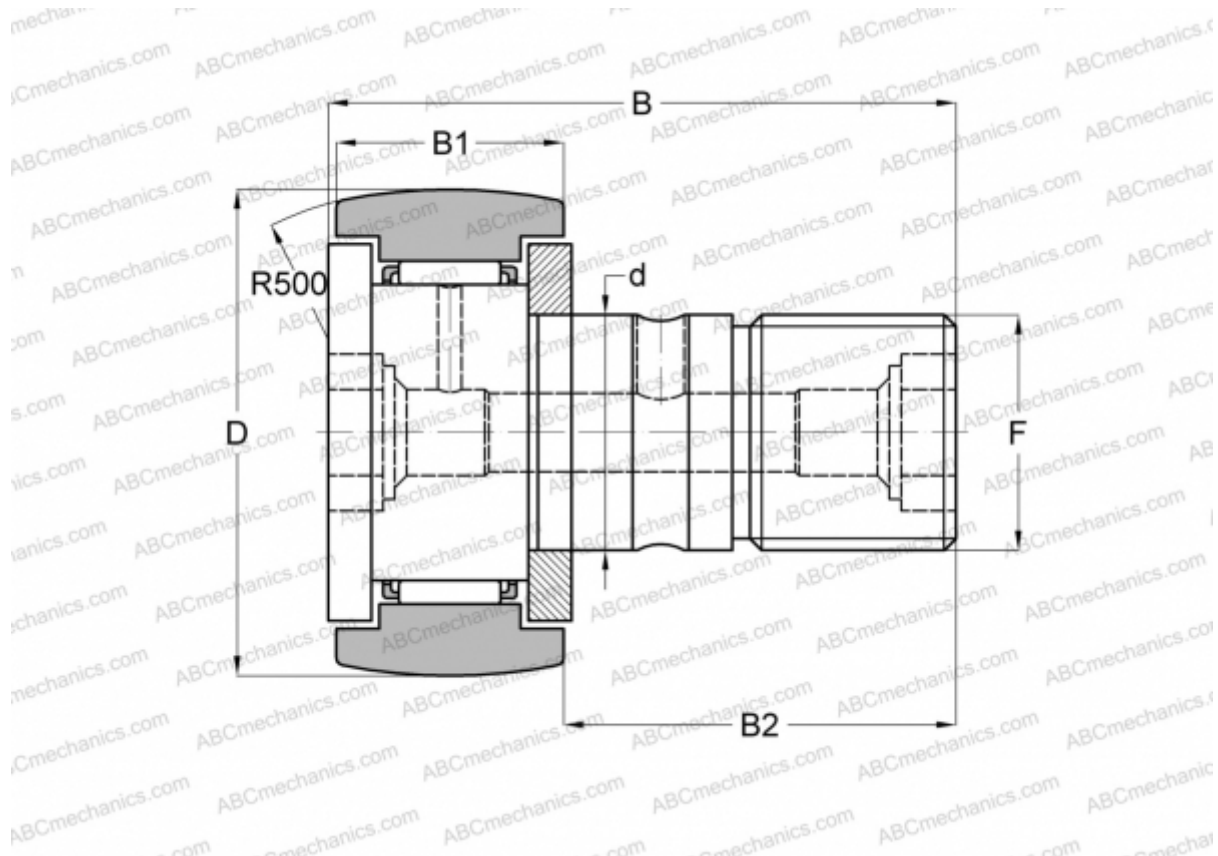


## CF 20 FBR IKO

Cam followers

TYPE: Roller bearings, Stud type track rollers, With axial guidance, gap seals on both side, stainless steel, hex hole



### Technical specification

#### DIMENSIONS, MM

d	20,000
D	52,000
B	66,100
B1	24,000
B2	40,500
F	M20x1.5

**WEIGHT, KG** 0,460

**MANUFACTURER** [IKO](#)

#### CALCULATION DATA

Basic dynamic load rating, C	16,500 kN
Basic static load rating, Co	27,700 kN