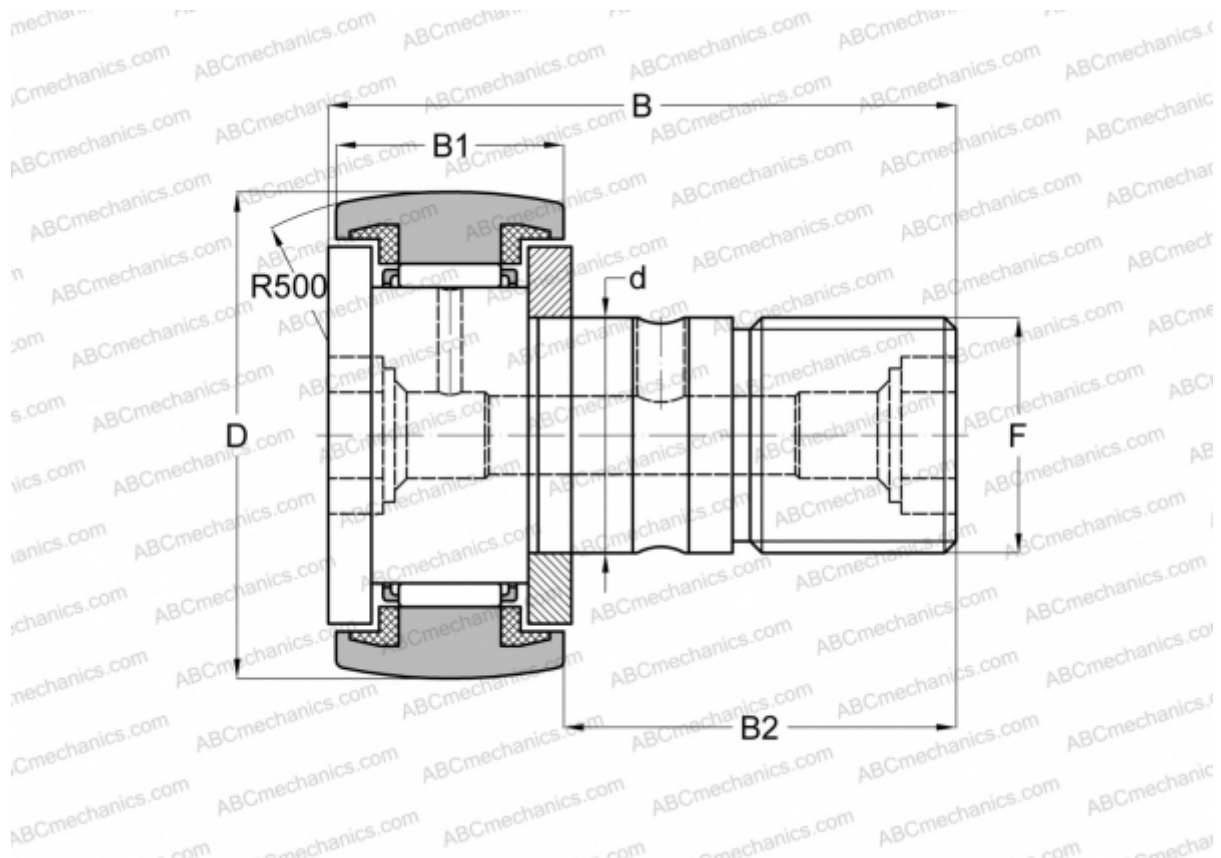


CF 8 FBUUR IKO

Cam followers

TYPE: Roller bearings, Stud type track rollers, With axial guidance, sealing rings on both sides, stainless steel, hex hole



Technical specification

DIMENSIONS, MM

| | |
|----|---------|
| d | 8,000 |
| D | 19,000 |
| B | 32,200 |
| B1 | 11,000 |
| B2 | 20,000 |
| F | M8x1.25 |

WEIGHT, KG 0,029

MANUFACTURER [IKO](#)

CALCULATION DATA

| | |
|------------------------------|----------|
| Basic dynamic load rating, C | 3,400 kN |
| Basic static load rating, Co | 3,790 kN |