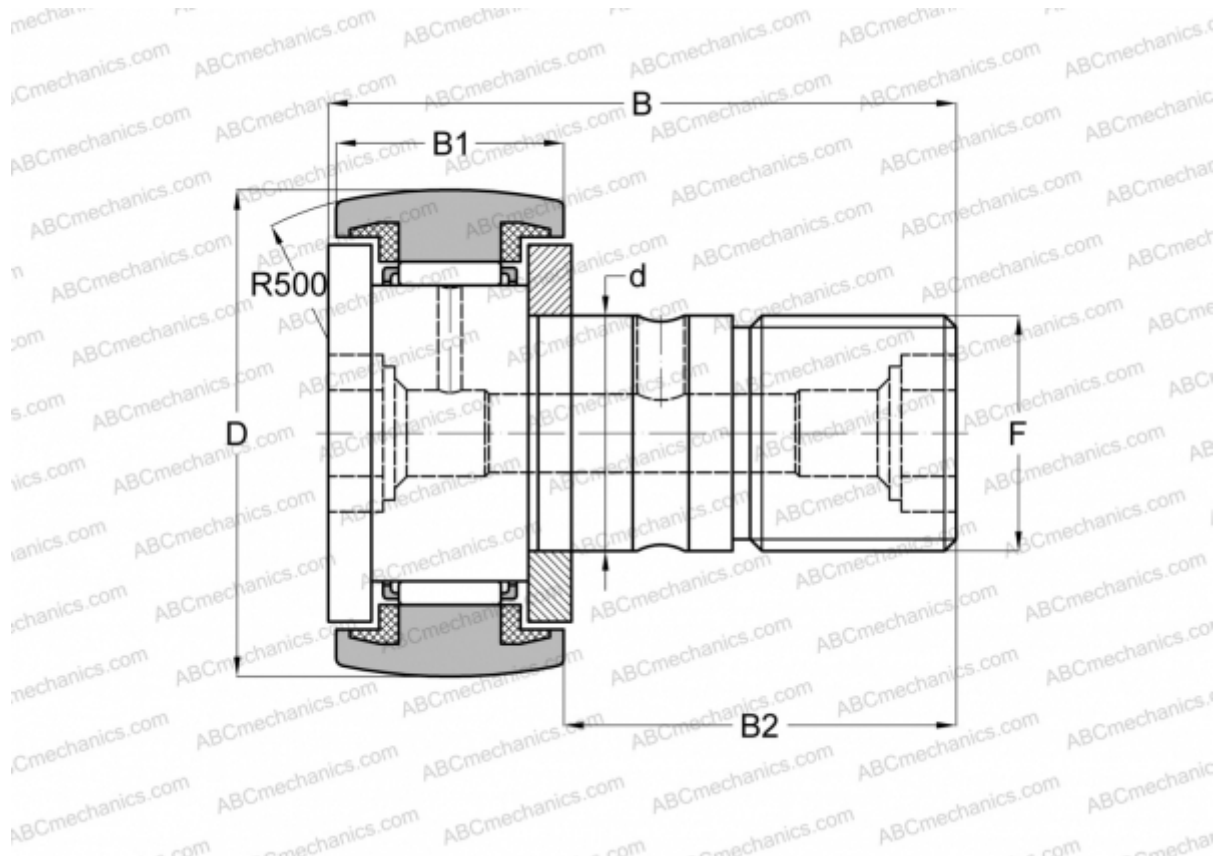


## CF 18 FBUUR IKO

Cam followers

TYPE: Roller bearings, Stud type track rollers, With axial guidance, sealing rings on both sides, stainless steel, hex hole



### Technical specification

#### DIMENSIONS, MM

d	18,000
D	40,000
B	58,100
B1	20,000
B2	36,500
F	M18x1.5

**WEIGHT, KG** 0,250

**MANUFACTURER** [IKO](#)

#### CALCULATION DATA

Basic dynamic load rating, C	11,800 kN
Basic static load rating, Co	20,200 kN