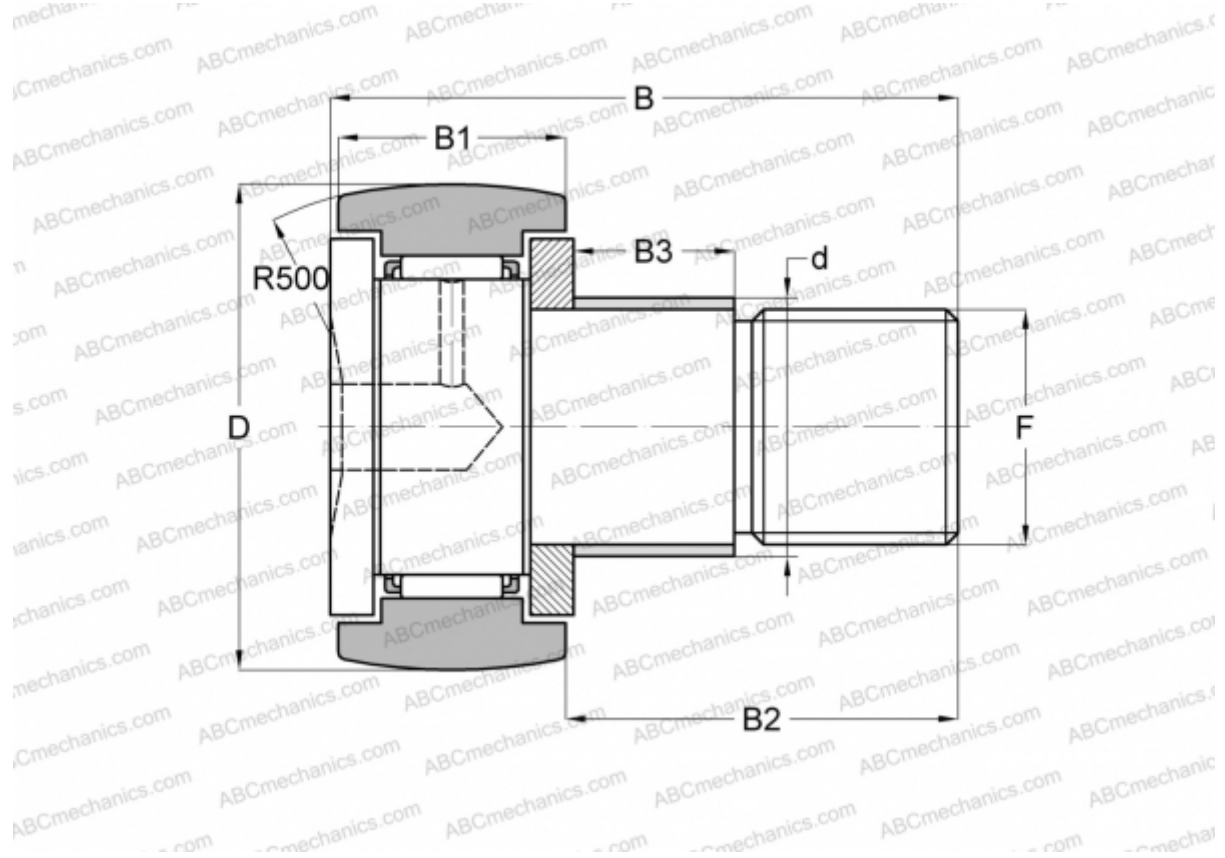


KRE 16 ABC

Cam followers

TYPE: Roller bearings, Stud type track rollers, With axial guidance, with eccentric collar



Technical specification

DIMENSIONS, MM

d	9,000
D	16,000
B	28,000
B1	11,000
B2	16,000
B3	7,000
F	M6x1

WEIGHT, KG 0,023

MANUFACTURER [ABC](#)

INTERCHANGE

INA	KRE 16
IKO	CFE 6 R