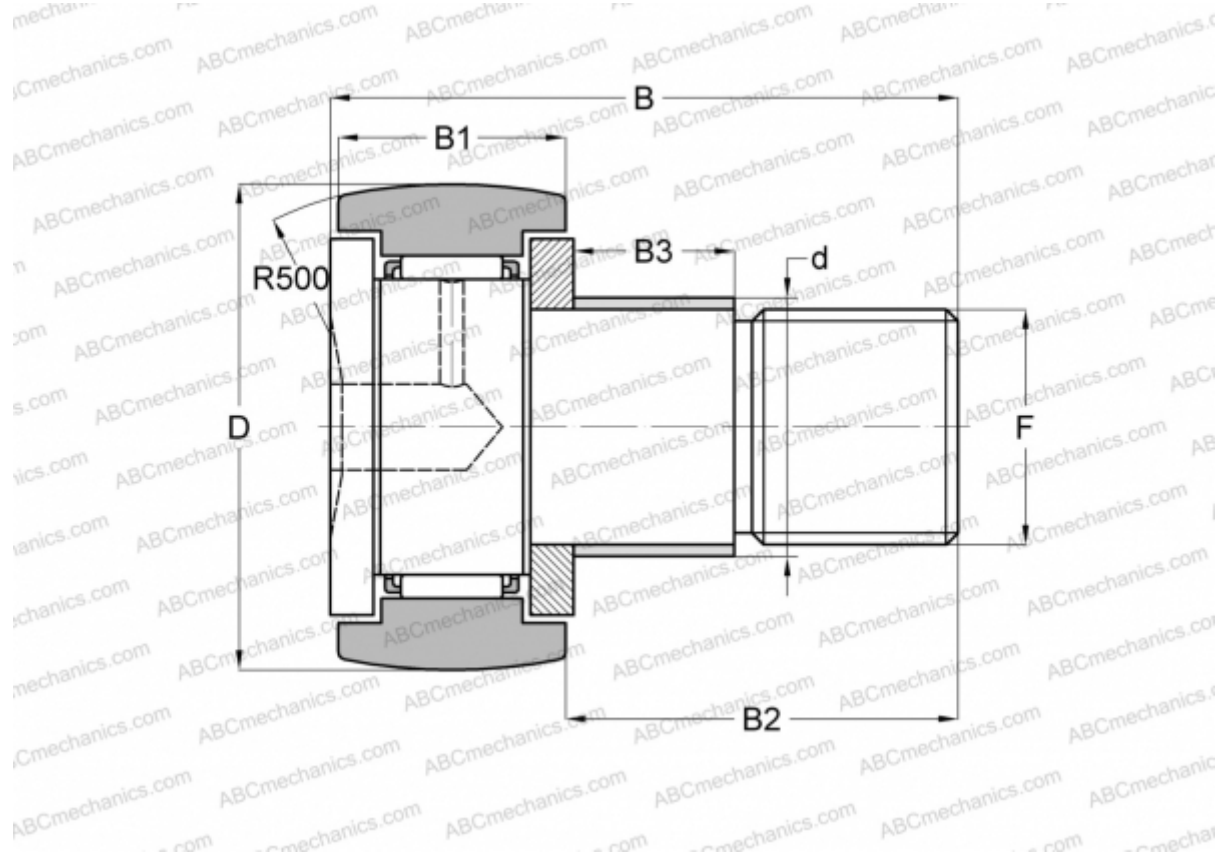


CFE 6 R IKO

Cam followers

TYPE: Roller bearings, Stud type track rollers, With axial guidance, with eccentric collar



Technical specification

DIMENSIONS, MM

| | |
|----|--------|
| d | 9,000 |
| D | 16,000 |
| B | 28,200 |
| B1 | 11,000 |
| B2 | 16,000 |
| F | M6x1 |

WEIGHT, KG 0,021

MANUFACTURER [IKO](#)

INTERCHANGE

| | |
|-----|------------------------|
| ABC | KRE 16 |
| INA | KRE 16 |

CALCULATION DATA

| | |
|------------------------------|----------|
| Basic dynamic load rating, C | 3,660 kN |
|------------------------------|----------|

CALCULATION DATA

| | |
|------------------------------|----------|
| Basic static load rating, Co | 3,650 kN |
|------------------------------|----------|