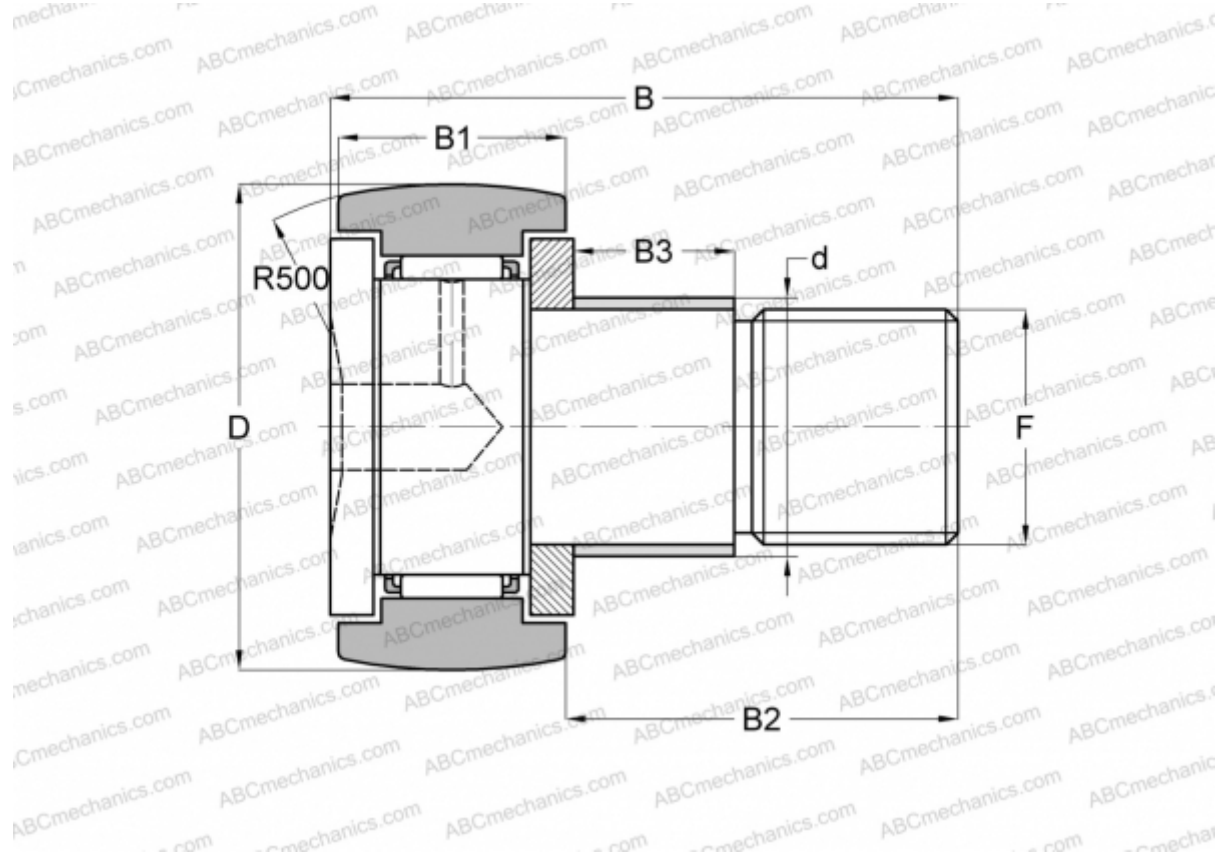


CFE 8 R IKO

Cam followers

TYPE: Roller bearings, Stud type track rollers, With axial guidance, with eccentric collar



Technical specification

DIMENSIONS, MM

d	11,000
D	19,000
B	32,200
B1	11,000
B2	20,000
F	M8x1.25

CALCULATION DATA

Basic static load rating, Co	4,740 kN
------------------------------	----------

WEIGHT, KG 0,032

MANUFACTURER [IKO](#)

INTERCHANGE

ABC	KRE 19
INA	KRE 19

CALCULATION DATA

Basic dynamic load rating, C	4,250 kN
------------------------------	----------