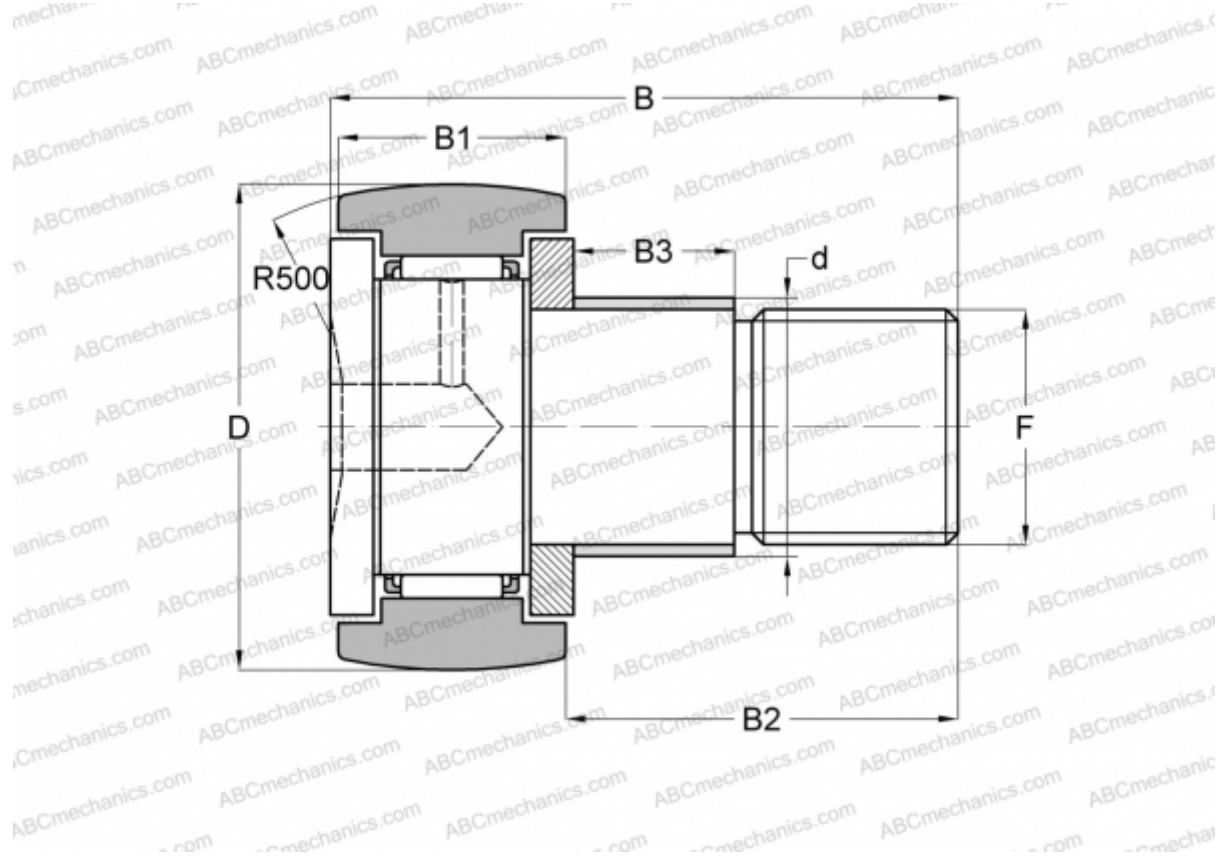


CFE 10 RM IKO

Cam followers

TYPE: Roller bearings, Stud type track rollers, With axial guidance, with eccentric collar



Technical specification

DIMENSIONS, MM

| | |
|----|--------|
| d | 13,000 |
| D | 22,000 |
| B | 36,200 |
| B1 | 12,000 |
| B2 | 23,000 |
| F | M10x1 |

WEIGHT, KG 0,050

MANUFACTURER [IKO](#)

INTERCHANGE

| | |
|-----|------------------------|
| ABC | KRE 22 |
| INA | KRE 22 |

CALCULATION DATA

| | |
|------------------------------|----------|
| Basic dynamic load rating, C | 5,430 kN |
|------------------------------|----------|

CALCULATION DATA

| | |
|------------------------------|----------|
| Basic static load rating, Co | 6,890 kN |
|------------------------------|----------|