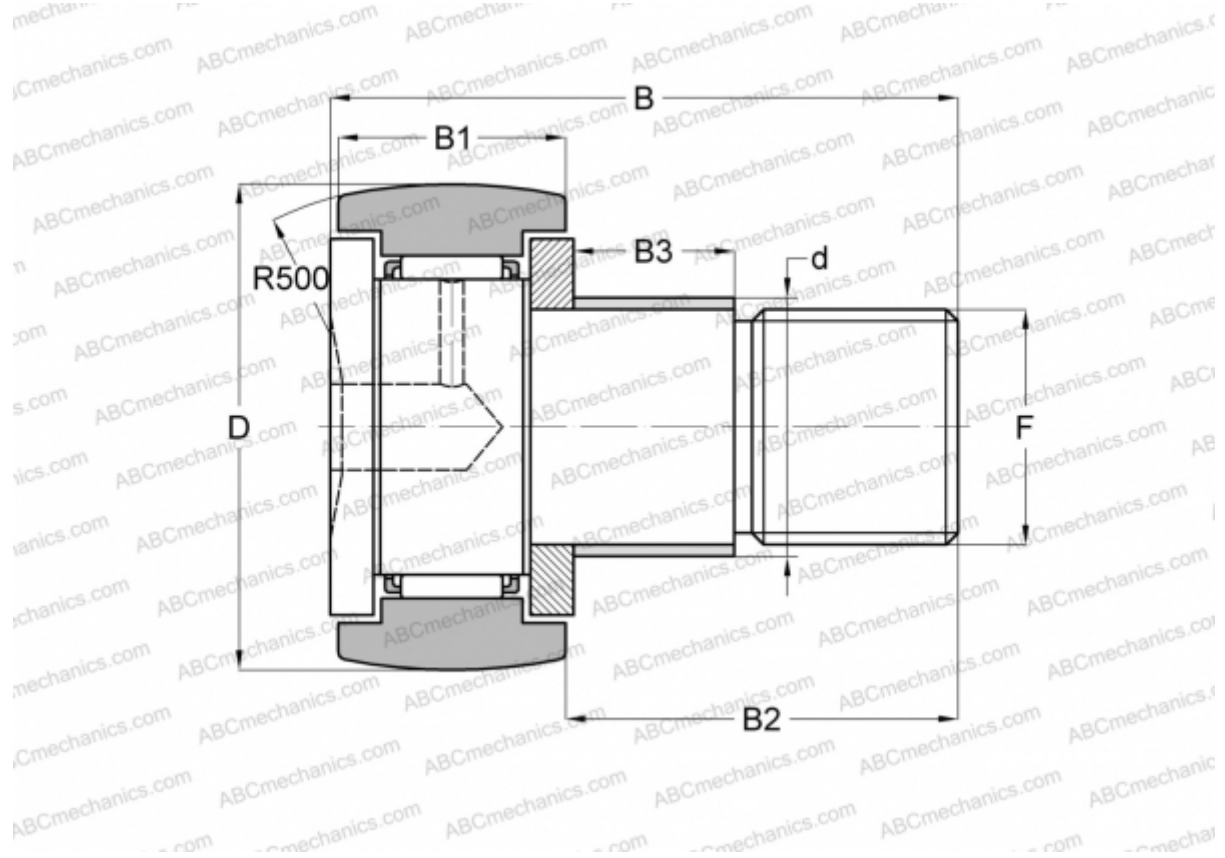


KRE 26 INA

Cam followers

TYPE: Roller bearings, Stud type track rollers, With axial guidance, with eccentric collar



Technical specification

DIMENSIONS, MM

d	13,000
D	26,000
B	36,000
B1	12,000
B2	23,000
B3	10,000
F	M10x1

WEIGHT, KG 0,064

MANUFACTURER [INA](#)

INTERCHANGE

ABC	KRE 26
IKO	CFE 10-1 RM