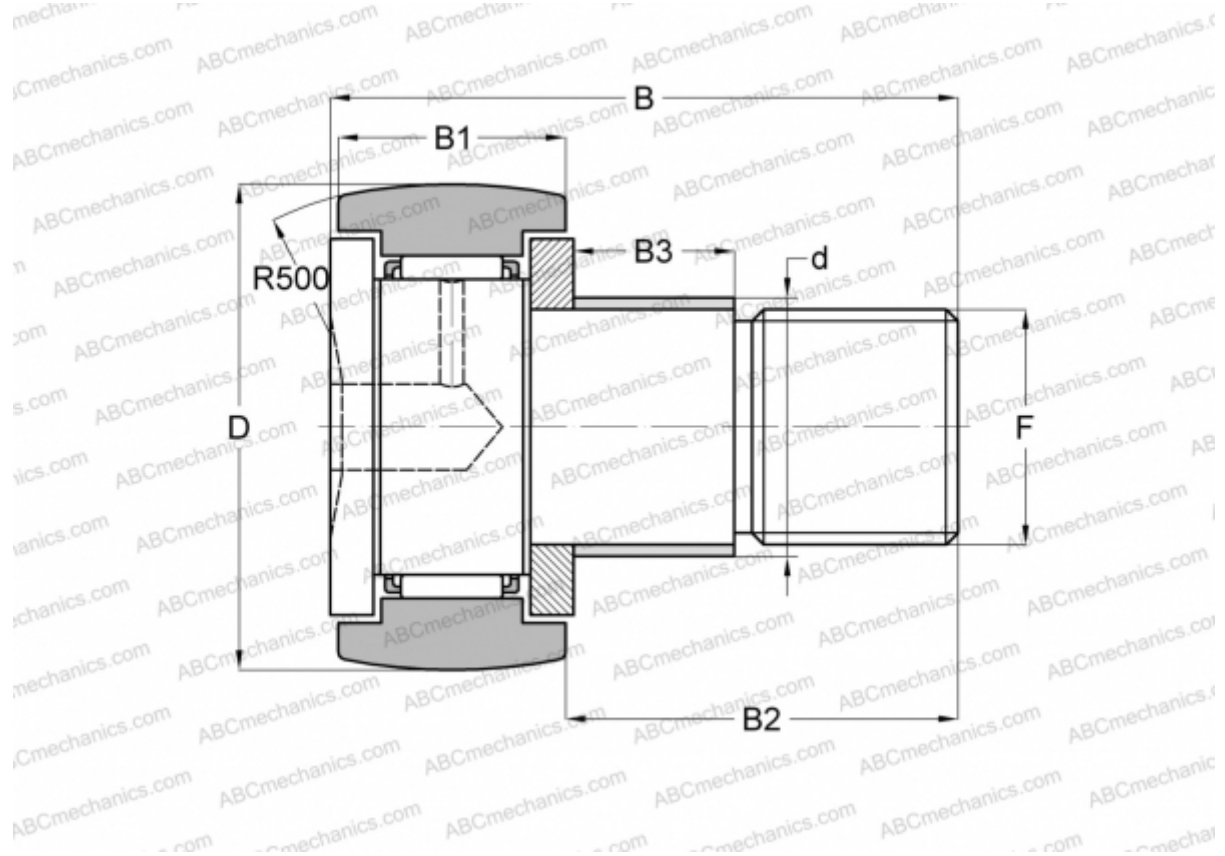


## CFE 10-1 RM IKO

Cam followers

TYPE: Roller bearings, Stud type track rollers, With axial guidance, with eccentric collar



### Technical specification

#### DIMENSIONS, MM

d	13,000
D	26,000
B	36,200
B1	12,000
B2	23,000
F	M10x1

**WEIGHT, KG** 0,065

**MANUFACTURER** [IKO](#)

#### INTERCHANGE

ABC	<a href="#">KRE 26</a>
INA	<a href="#">KRE 26</a>

#### CALCULATION DATA

Basic dynamic load rating, C	5,430 kN
------------------------------	----------

#### CALCULATION DATA

Basic static load rating, Co	6,890 kN
------------------------------	----------