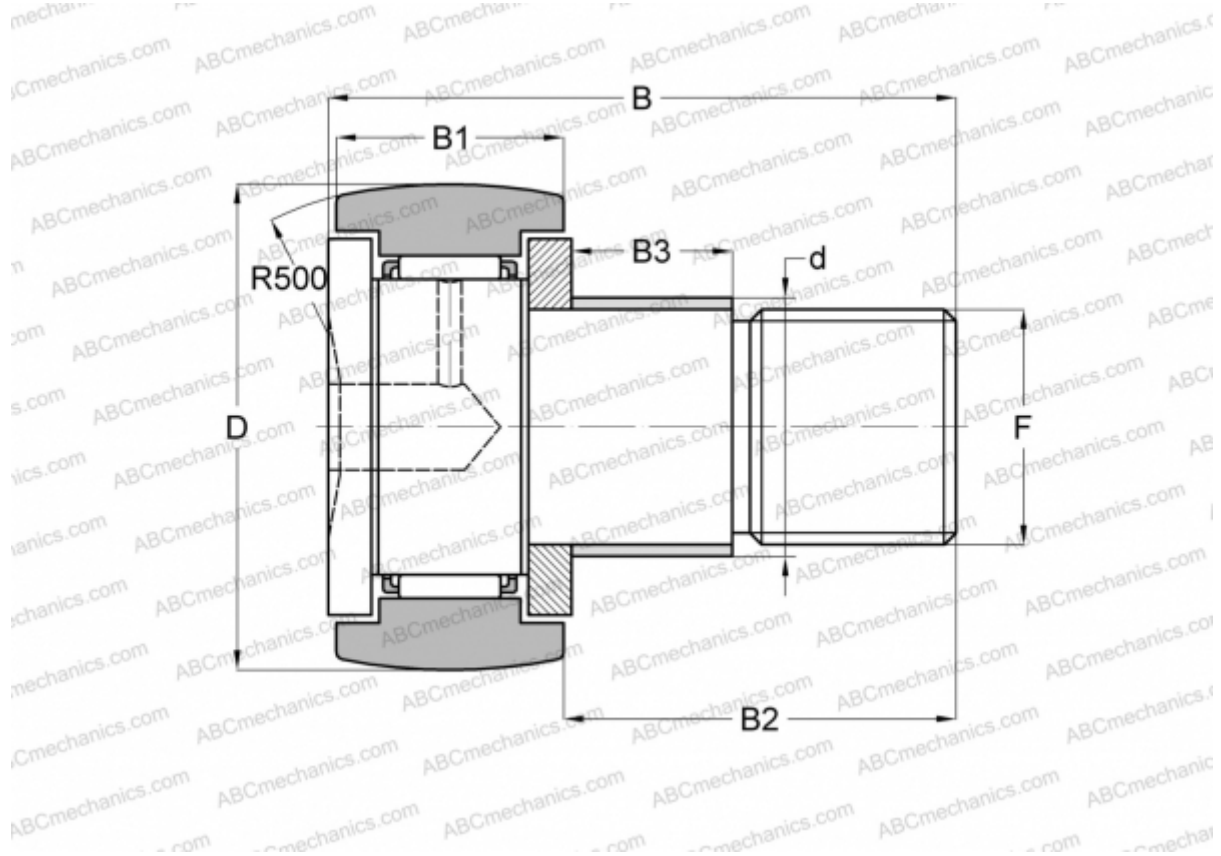


## KRE 30 INA

Cam followers

TYPE: Roller bearings, Stud type track rollers, With axial guidance, with eccentric collar



### Technical specification

#### DIMENSIONS, MM

d	15,000
D	30,000
B	40,000
B1	14,000
B2	25,000
B3	11,000
F	M12x1.5

**WEIGHT, KG** 0,095

**MANUFACTURER** [INA](#)

#### INTERCHANGE

ABC [KRE 30](#)