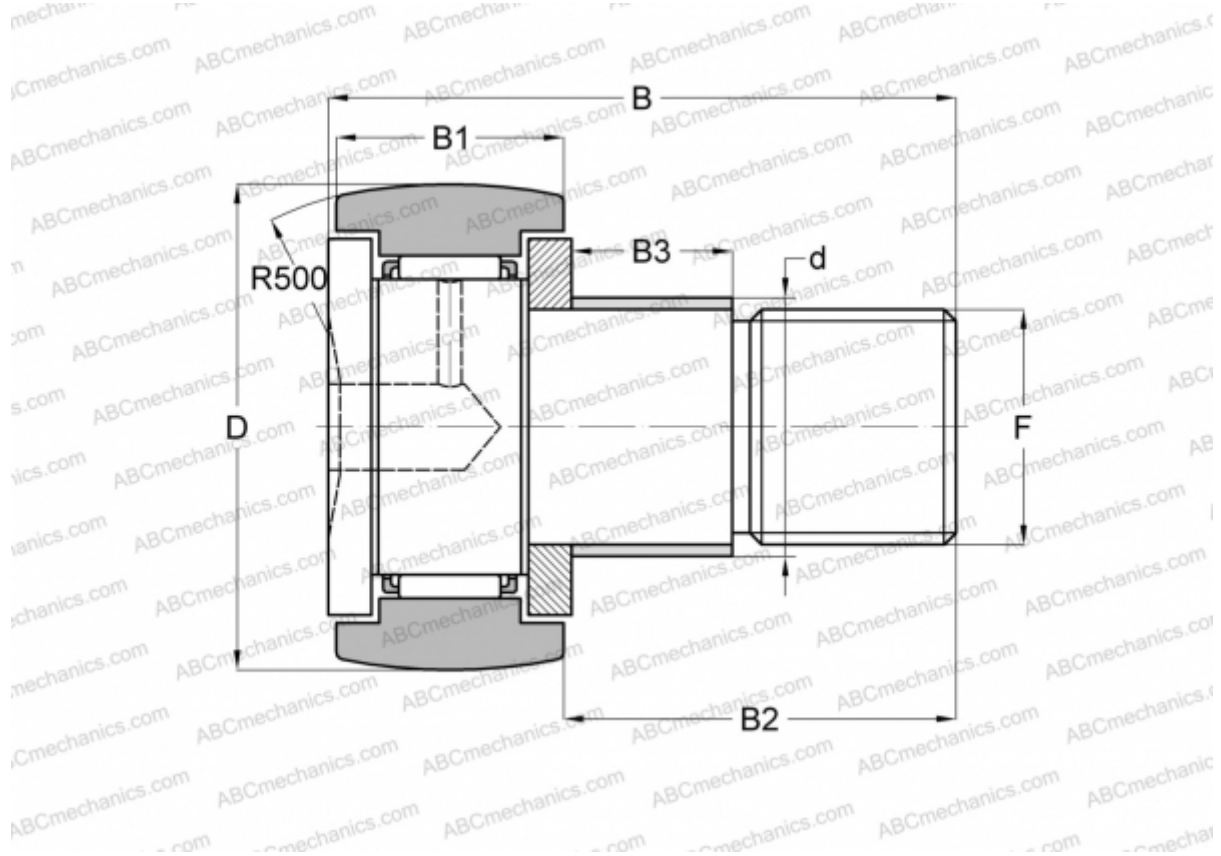


KRE 35 ABC

Cam followers

TYPE: Roller bearings, Stud type track rollers, With axial guidance, with eccentric collar



Technical specification

DIMENSIONS, MM

| | |
|----|---------|
| d | 20,000 |
| D | 35,000 |
| B | 52,000 |
| B1 | 18,000 |
| B2 | 32,500 |
| B3 | 14,000 |
| F | M16x1.5 |

WEIGHT, KG 0,177

MANUFACTURER [ABC](#)

INTERCHANGE

INA [KRE 35](#)