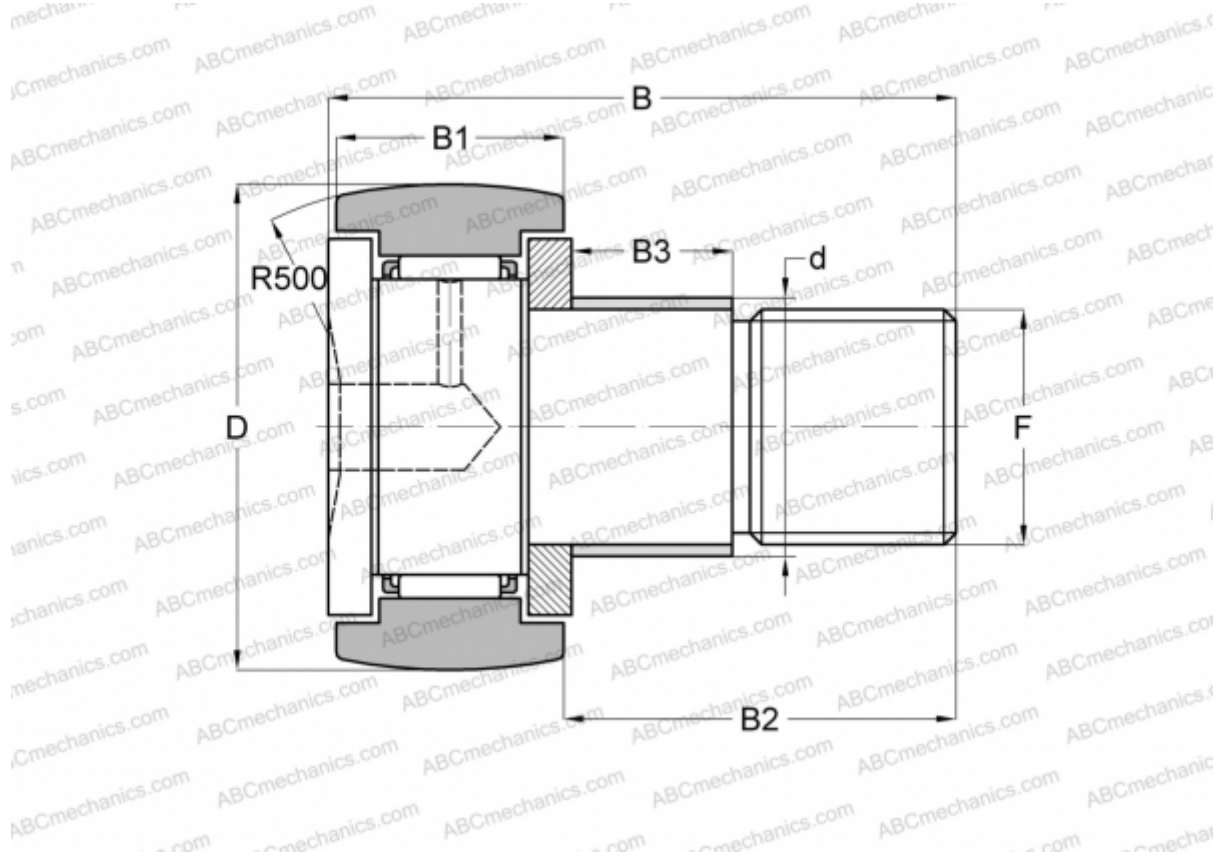


## KRE 40 ABC

Cam followers

TYPE: Roller bearings, Stud type track rollers, With axial guidance, with eccentric collar



### Technical specification

#### DIMENSIONS, MM

d	22,000
D	40,000
B	58,000
B1	20,000
B2	36,500
B3	16,000
F	M18x1.5

**WEIGHT, KG** 0,255

**MANUFACTURER** [ABC](#)

#### INTERCHANGE

INA [KRE 40](#)