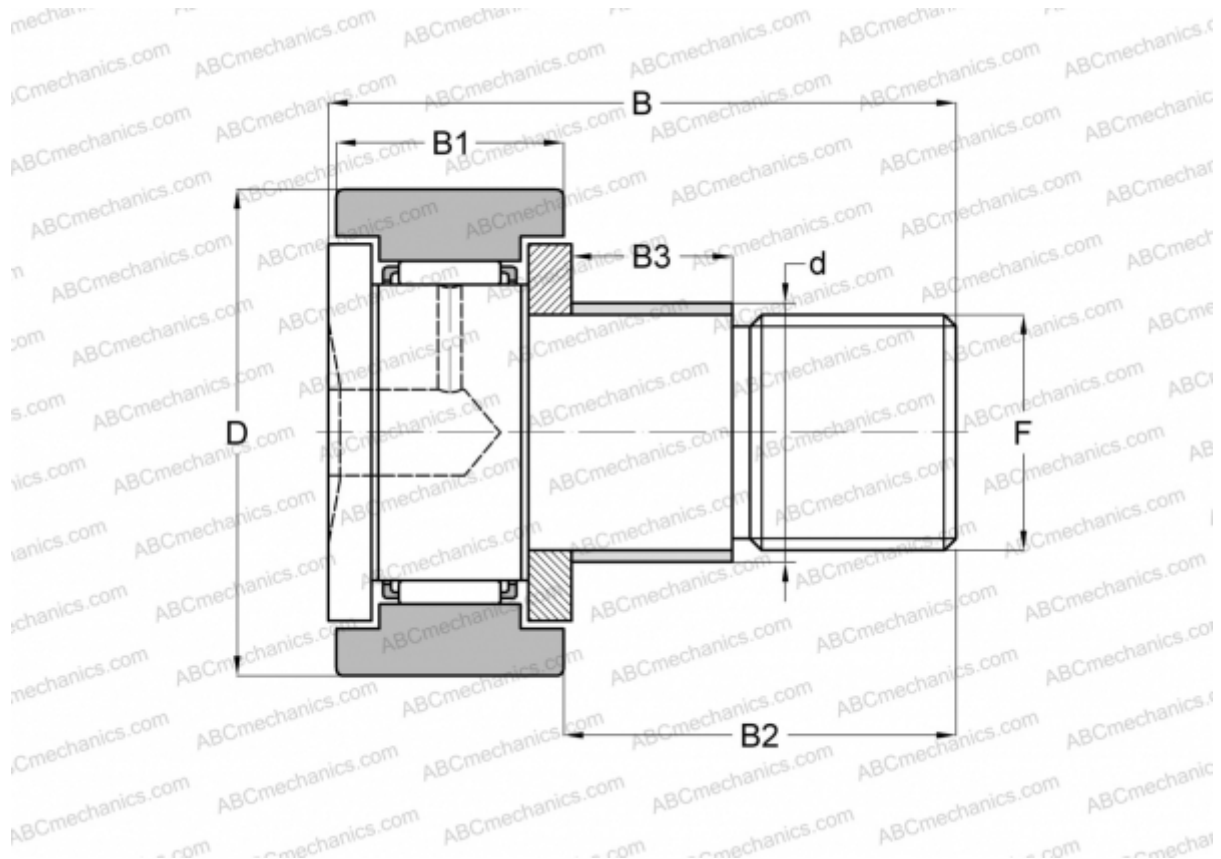


## KRE 26 X INA

Cam followers

TYPE: Roller bearings, Stud type track rollers, With axial guidance, with eccentric collar, cylindrical outer ring



### Technical specification

#### DIMENSIONS, MM

|    |        |
|----|--------|
| d  | 13,000 |
| D  | 26,000 |
| B  | 36,000 |
| B1 | 12,000 |
| B2 | 23,000 |
| B3 | 10,000 |
| F  | M10x1  |

**WEIGHT, KG** 0,064

**MANUFACTURER** [INA](#)

#### INTERCHANGE

|     |                            |
|-----|----------------------------|
| ABC | <a href="#">KRE 26 X</a>   |
| IKO | <a href="#">CFE 10-1 M</a> |