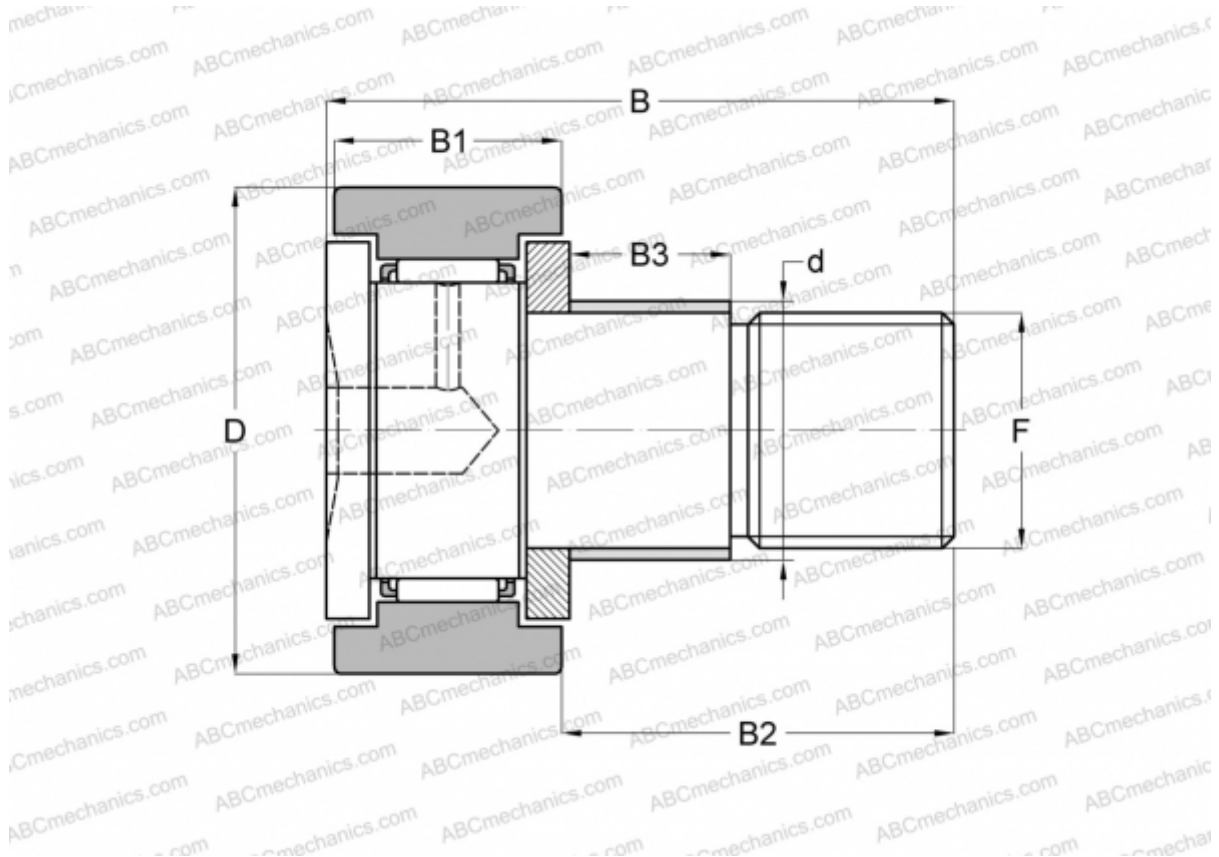


CFE 20-1 IKO

Cam followers

TYPE: Roller bearings, Stud type track rollers, With axial guidance, with eccentric collar, cylindrical outer ring



Technical specification

DIMENSIONS, MM

d	27,000
D	47,000
B	66,100
B1	24,000
B2	40,500
F	M20x1.5

WEIGHT, KG 0,425

MANUFACTURER [IKO](#)

INTERCHANGE

ABC [CFE 20-1](#)

CALCULATION DATA

Basic dynamic load rating, C	20,700 kN
Basic static load rating, Co	34,600 kN