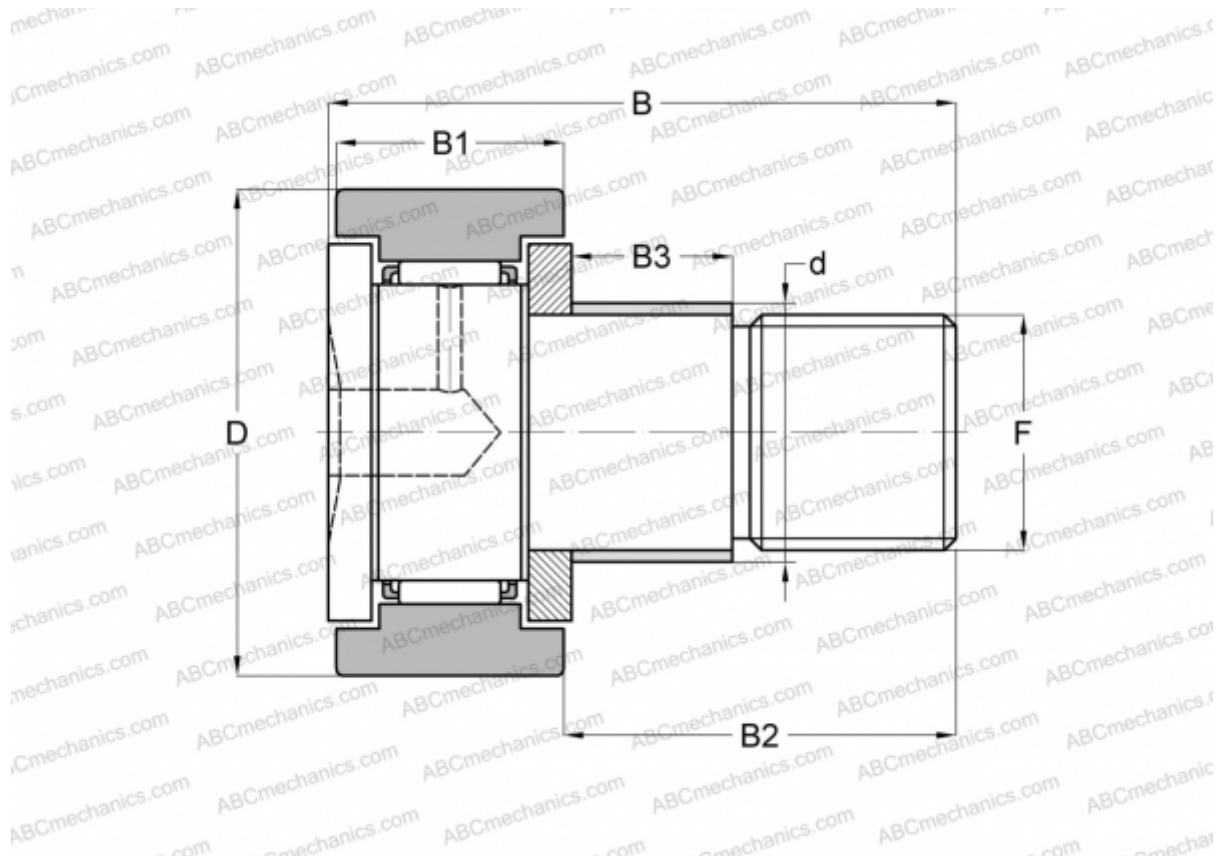


## KRE 62 X ABC

Cam followers

TYPE: Roller bearings, Stud type track rollers, With axial guidance, with eccentric collar, cylindrical outer ring



### Technical specification

#### DIMENSIONS, MM

|    |         |
|----|---------|
| d  | 28,000  |
| D  | 62,000  |
| B  | 80,000  |
| B1 | 29,000  |
| B2 | 49,500  |
| B3 | 22,000  |
| F  | M24x1.5 |

**WEIGHT, KG** 0,798

**MANUFACTURER** [ABC](#)

#### INTERCHANGE

INA [KRE 62 X](#)