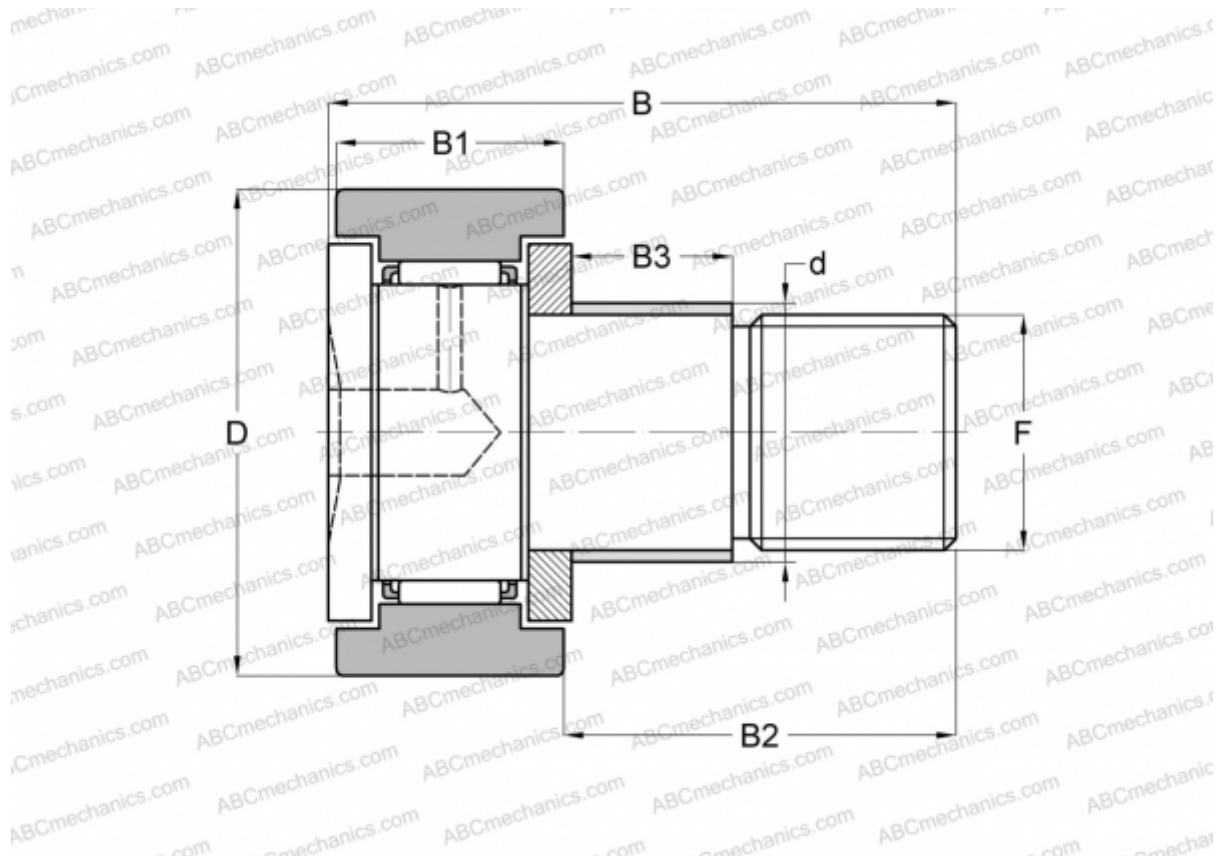


## KRE 80 X ABC

Cam followers

TYPE: Roller bearings, Stud type track rollers, With axial guidance, with eccentric collar, cylindrical outer ring



### Technical specification

#### DIMENSIONS, MM

d	35,000
D	80,000
B	100,000
B1	35,000
B2	63,000
B3	29,000
F	M30x1.5

**WEIGHT, KG** 1,665

**MANUFACTURER** [ABC](#)

#### INTERCHANGE

INA [KRE 80 X](#)