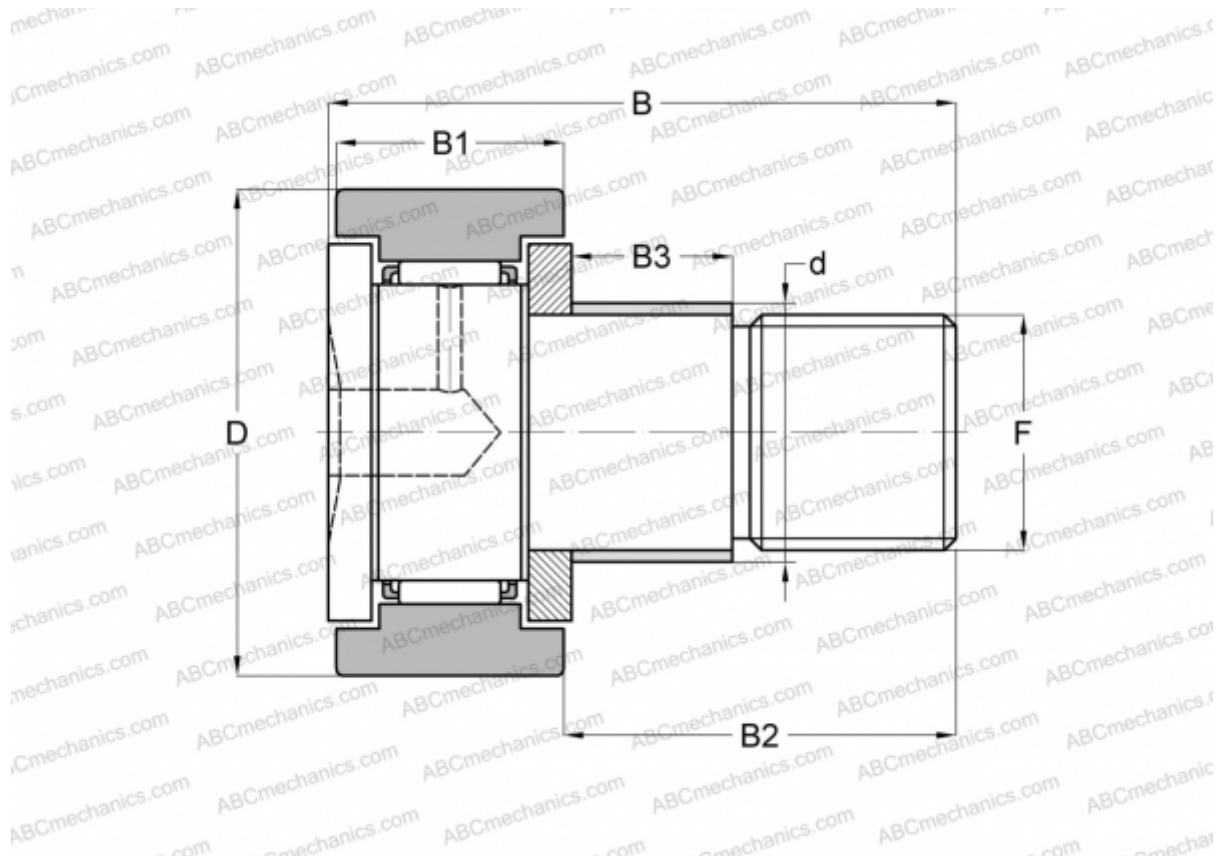


KRE 90 X INA

Cam followers

TYPE: Roller bearings, Stud type track rollers, With axial guidance, with eccentric collar, cylindrical outer ring



Technical specification

DIMENSIONS, MM

d	35,000
D	90,000
B	100,000
B1	35,000
B2	63,000
B3	29,000
F	M30x1.5

WEIGHT, KG 2,032

MANUFACTURER [INA](#)

INTERCHANGE

ABC [KRE 90 X](#)