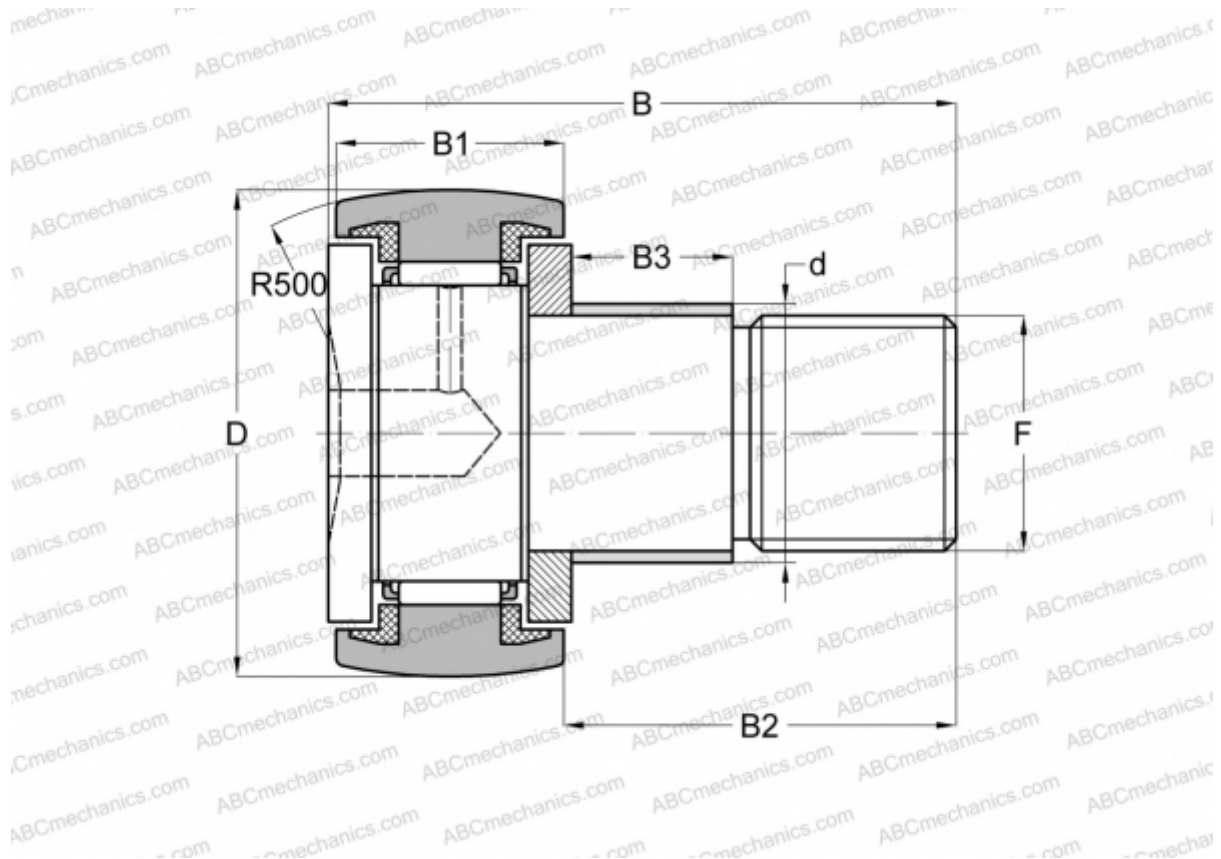


## KRE 16 PP ABC

Cam followers

TYPE: Roller bearings, Stud type track rollers, With axial guidance, with eccentric collar, sealing rings on both sides



### Technical specification

#### DIMENSIONS, MM

d	9,000
D	16,000
B	28,000
B1	11,000
B2	16,000
B3	7,000
F	M6x1

**WEIGHT, KG** 0,023

**MANUFACTURER** [ABC](#)

#### INTERCHANGE

SKF	<a href="#">KRE 16 PPA</a>
INA	<a href="#">KRE 16 PPA</a>
IKO	<a href="#">CFE 6 UUR</a>