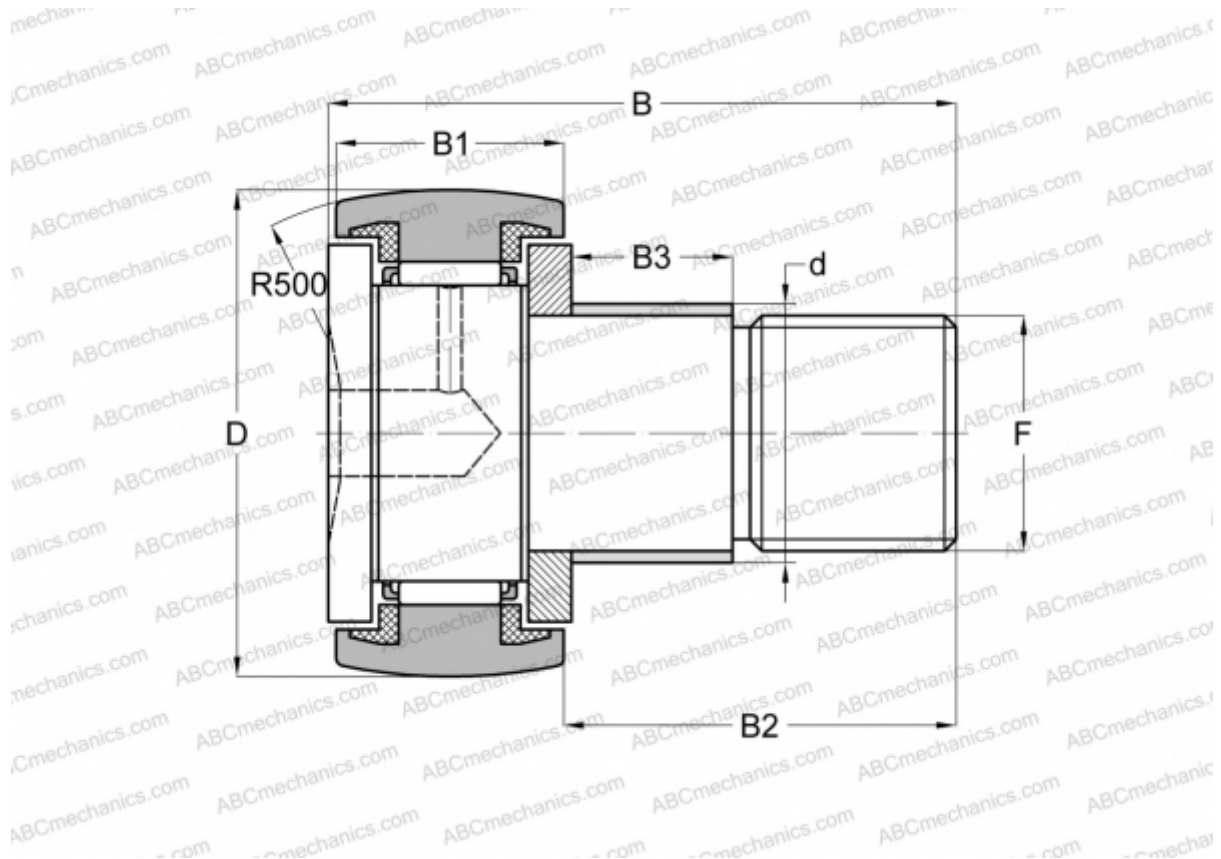


KRE 16 PPA INA

Cam followers

TYPE: Roller bearings, Stud type track rollers, With axial guidance, with eccentric collar, sealing rings on both sides



Technical specification

DIMENSIONS, MM

d	9,000
D	16,000
B	28,000
B1	11,000
B2	16,000
B3	7,000
F	M6x1

WEIGHT, KG 0,023

MANUFACTURER [INA](#)

INTERCHANGE

ABC	KRE 16 PP
SKF	KRE 16 PPA
IKO	CFE 6 UUR