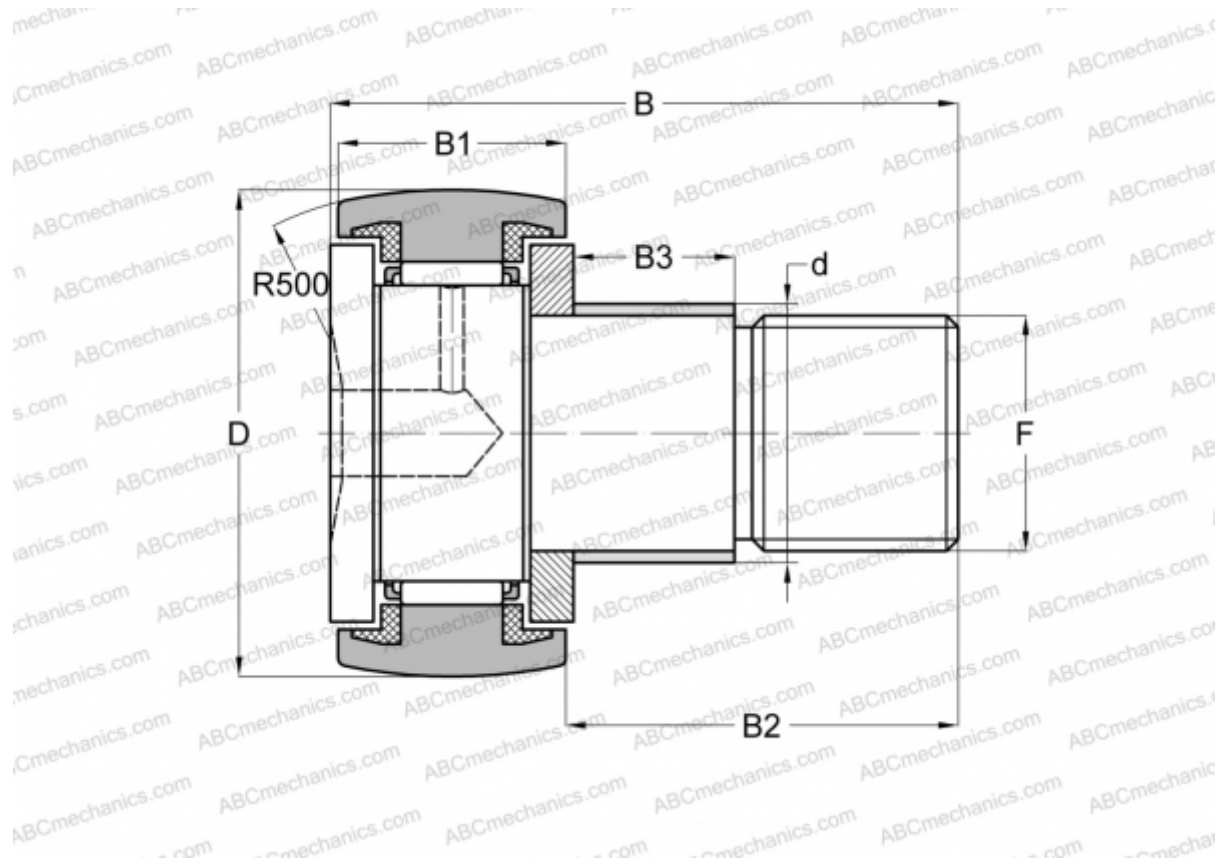


KRE 19 PPA SKF

Cam followers

TYPE: Roller bearings, Stud type track rollers, With axial guidance, with eccentric collar, sealing rings on both sides



Technical specification

DIMENSIONS, MM

d	11,000
D	19,000
B	32,000
B1	11,000
B2	20,000
F	M8

WEIGHT, KG 0,032

MANUFACTURER [SKF](#)

INTERCHANGE

ABC	KRE 19 PP
INA	KRE 19 PPA
IKO	CFE 8 UUR

CALCULATION DATA

Basic dynamic load rating, C	3,470 kN
Basic static load rating, Co	3,800 kN
Fatigue load limit, Pu	0,415 kN
Limiting speed	5600 r/min

REPLACES

KRE 19 PP